

# Low Loss SAW 317 MHz Filter

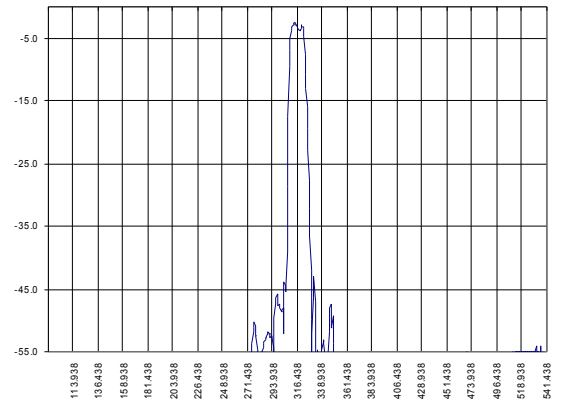
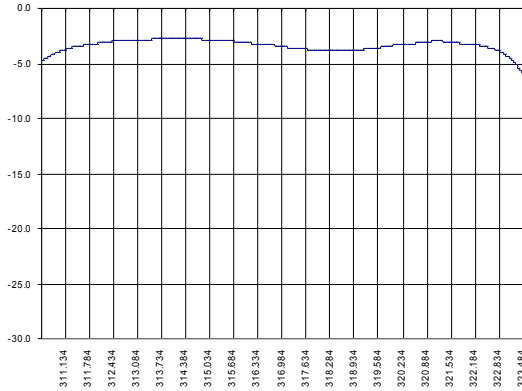
Bandwidth 12 MHz

Part Number A350-317M1

Complies with Directive 2002/95/EC (RoHS)

PRELIMINARY DATA

## Typical performance



## Specifications

Parameter	Unit	Min	Typ	Max
Central frequency	MHz	316.6	317.0	317.4
Inserted loss (unmatched)	dB	2.5	2.8	3.3
Bandwidth @-1.5dB	MHz	-	12	-
Bandwidth @-40dB	MHz	-	22	-
Amplitude ripple	dB	-	1.25	1.50
Substrate	-	-	49LNO	-
Temperature range	°C	-55	22	85

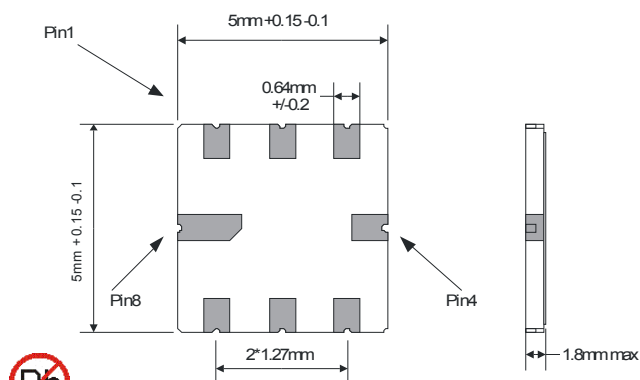
### Notes:

- The design, manufacturing process, and specifications of this filter are subject to change.
- Specification valid for measurements in AEC Design test fixture.

## Case

Bottom view

Side view



## Matching

