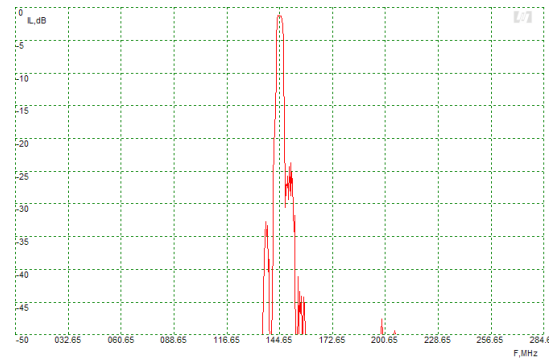
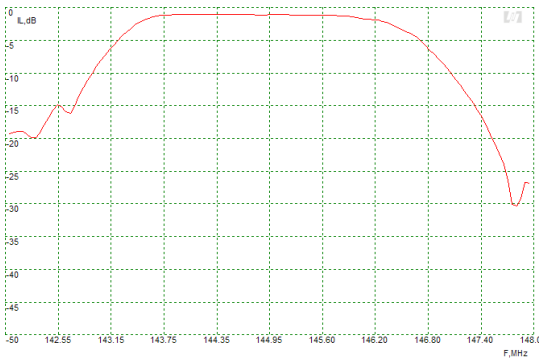


SAW Filter 145 MHz
Bandwidth 2.75 MHz
Part Number A333-145M1

Complies with Directive 2002/95/EC (RoHS)

PRELIMINARY DATA

Typical Performance



Specifications

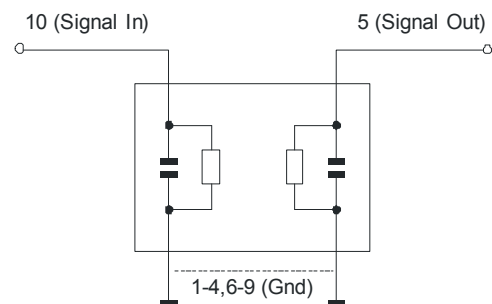
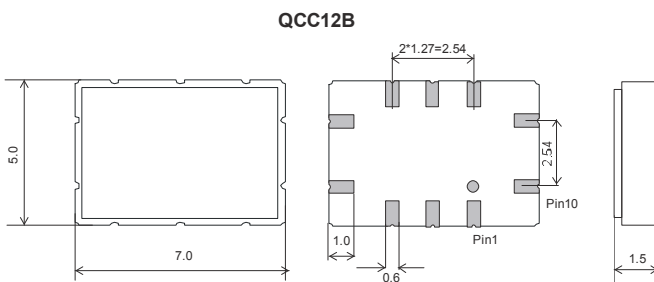
Parameter	Unit	Min	Typ	Max
Central frequency	MHz	144.75	145	145.25
Inserted loss	dB	-	1.1	-
Bandwidth @-1 dB	MHz	-	2.75	-
Bandwidth @-30 dB	MHz	-	10.9	-
Amplitude Ripple	dB	-	0.5	-
Ultimate rejection	dB	-	50	-
Substrate		-	36LTO	-
Temperature range	C	-55	22.5	85

Notes:

1. The design, manufacturing process, and specifications of this filter are subject to change.
2. Specification valid for measurements in AEC Design test fixture.

Case

Matching



$Z_{in} = Z_{out} = 50 \text{ Ohm}$
No matching required

