

# Low Loss SAW 395.6 MHz Filter

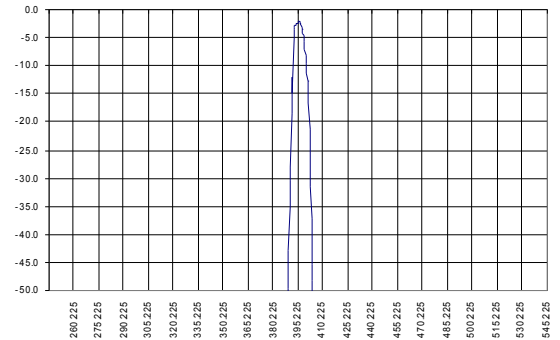
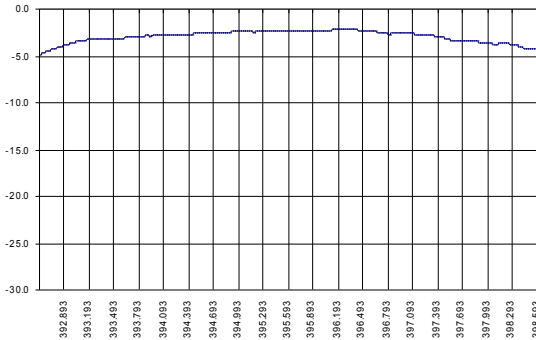
Bandwidth 5.5 MHz

Part Number A322-395.6M1

Complies with Directive 2002/95/EC (RoHS)

PRELIMINARY DATA

## Typical performance



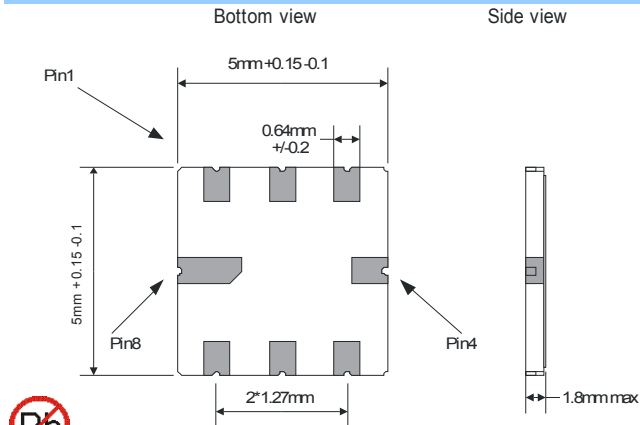
## Specifications

Parameter	Unit	Min	Typ	Max
Central frequency	MHz	395.2	395.6	396.0
Inserted loss (unmatched)	dB	2.0	2.2	2.4
Bandwidth @-2dB	MHz	5.4	5.6	5.8
Bandwidth @-40dB	MHz	13.7	14.0	14.5
Amplitude ripple	dB	-	1.5	2.0
Substrate	-	-	36LTO	-
Temperature range	°C	-55	22	85

### Notes:

- The design, manufacturing process, and specifications of this filter are subject to change.
- Specification valid for measurements in AEC Design test fixture.

## Case



## Matching

