

Narrowband SAW 154.2 MHz Filter

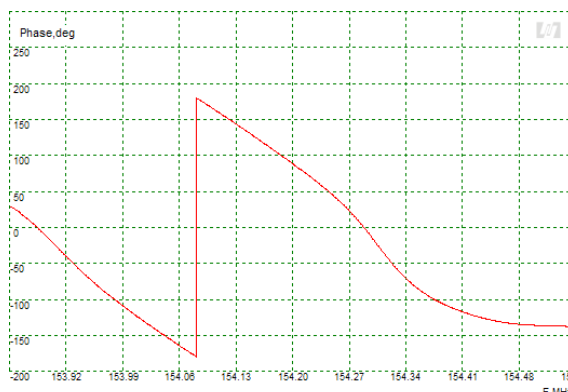
Bandwidth 0.38 MHz

Part Number A277-154.2M3

Complies with Directive 2002/95/EC (RoHS)

PRELIMINARY DATA

Typical performance



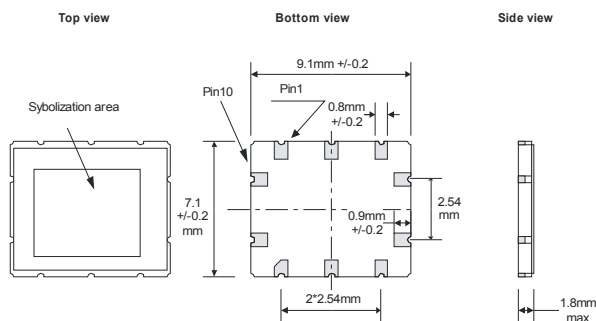
Specifications

Parameter	Unit	Min	Typ	Max
Central frequency	MHz	154.17	154.20	154.23
Inserted loss (matched)	dB		1.9	-
Bandwidth @-2dB	MHz	0.38	-	-
Bandwidth @-30dB	MHz	-	1	-
Amplitude ripple (in bandwidth 0.3 MHz)	dB	-	1.0	-
Ultimate rejection (100-153.5MHz, 160-300MHz)	dB	-	50	-
Substrate	-	-	112 LTO	-
Temperature range	°C	-5	22	40

Notes:

- The design, manufacturing process, and specifications of this filter are subject to change.
- Specification valid for measurements in AEC Design test fixture.

Case



Matching

