

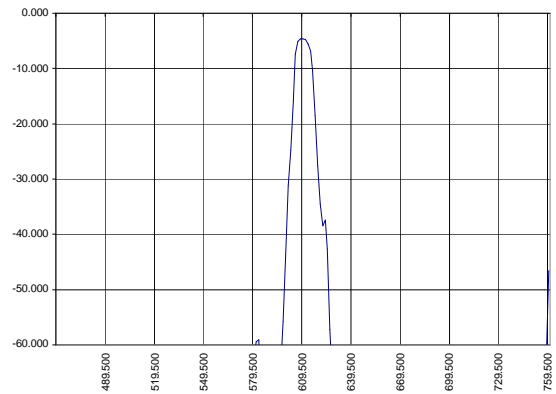
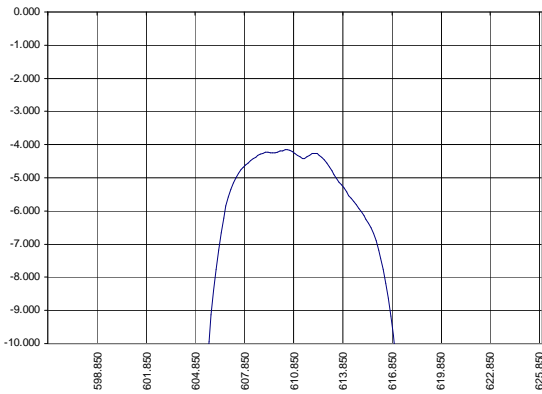
Low Loss SAW 611 MHz Filter

Bandwidth 7.0 MHz

Part Number A075-611M2

Complies with Directive 2002/95/EC (RoHS)

Typical performance



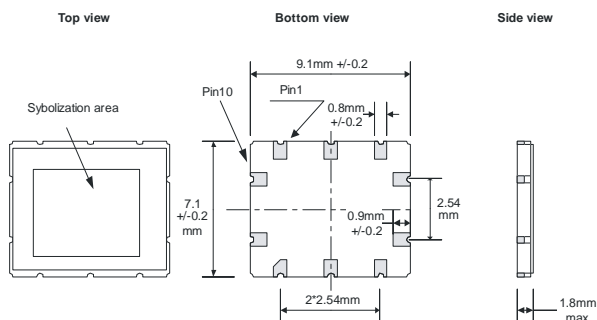
Specifications

Parameter	Unit	Min	Typ	Max
Central frequency	MHz	610.30	611.00	611.70
Inserted loss (unmatched)	dB	-	4.5	5.0
Bandwidth @ -2dB	MHz	7.0	7.5	-
Bandwidth @ -15dB	MHz	-	14.7	-
Bandwidth @ -50dB	MHz	-	30.0	-
Amplitude ripple	dB	-	0.9	1.0
Delay ripple	nsec	-	-	125
Ultimate rejection	dB	50.0	-	-
Substrate			36YX LNO	
Temperature range	°C	-55	22	85

Notes:

1. The design, manufacturing process, and specifications of this filter are subject to change.
2. Specification valid for measurements in AEC Design test fixture

Case



Matching

