

# LOW LOSS SAW 465 MHz Filter

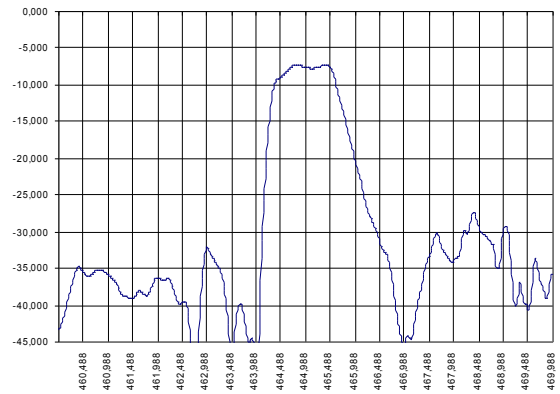
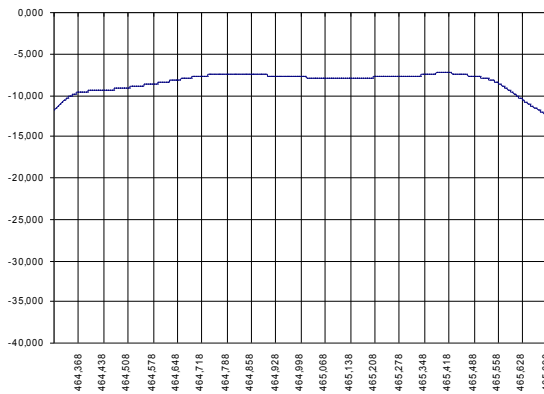
Bandwidth 1.2 MHz

Part Number A204-465M2

Complies with Directive 2002/95/EC (RoHS)

PRELIMINARY DATA

## Typical performance



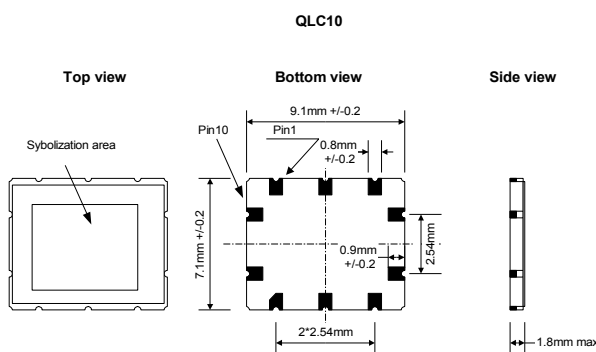
## Specifications

Parameter	Unit	Min	Typ	Max
Central frequency	MHz	464.9	465	465.1
Inserted loss (matched)	dB	-5.5	-6	-10
Bandwidth @-3dB	MHz	1.1	1.2	1.3
Bandwidth @-40dB	MHz	-	4	-
Amplitude ripple	dB	-	1	-
Substrate			36q	
Temperature range	°C	-55	22	85

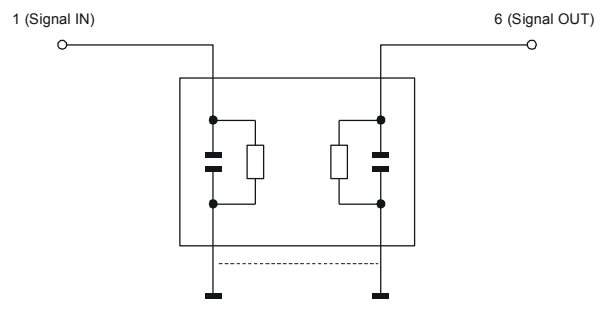
### Notes:

- The design, manufacturing process, and specifications of this filter are subject to change.
- Specification valid for measurements in AEC Design test fixture

## Case



## Matching



Matching: series inductor 33nH and parallel capacitor 15pf at input port, series inductor 27 nH and parallel capacitor 8 pf at output port

