

Low Loss SAW 40.72 MHz Filter

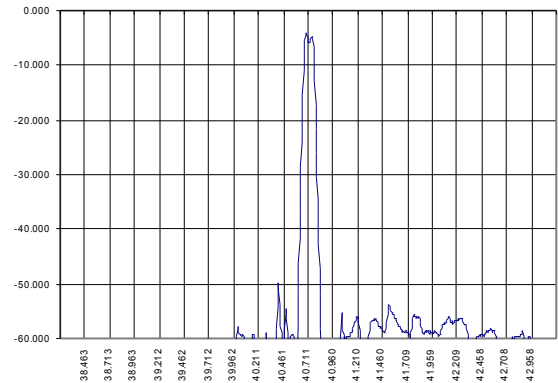
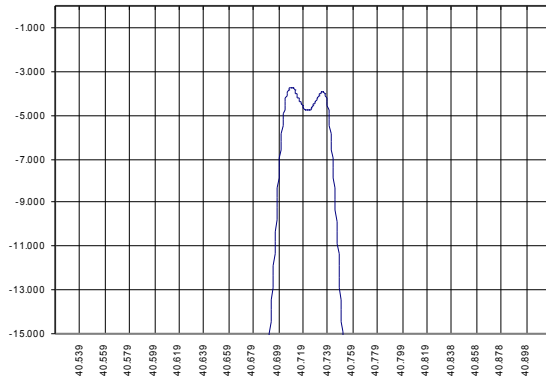
Bandwidth 0.095 MHz

Part Number A180-40.72M1

Complies with Directive 2002/95/EC (RoHS)

PRELIMINARY DATA

Typical performance



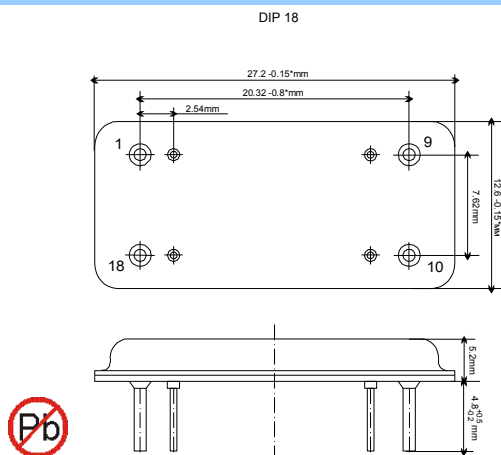
Specifications

Parameter	Unit	Min	Typ	Max
Central frequency	MHz	40.715	40.720	40.725
Inserted loss (unmatched)	dB	5	6	7
Bandwidth @-3dB	MHz	-	0.095	-
Bandwidth @-40dB	MHz	-	0.21	0.22
Amplitude ripple	dB	-	-	3.0
Ultimate rejection	dB	-	60	-
Substrate	-	-	36 YX quartz	-
Temperature range	°C	-55	22	85

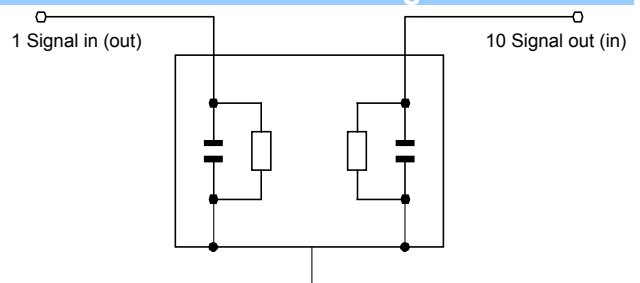
Notes:

1. The design, manufacturing process, and specifications of this filter are subject to change.
2. Specification valid for measurements in AEC Design test fixture.

Case



Matching



All others - Case ground
 $Z_{in}=Z_{out}=50 \text{ Ohm}$
 Matching: series capacitor (9-60)pf and parallel inductor 1120 nH at input/output port