

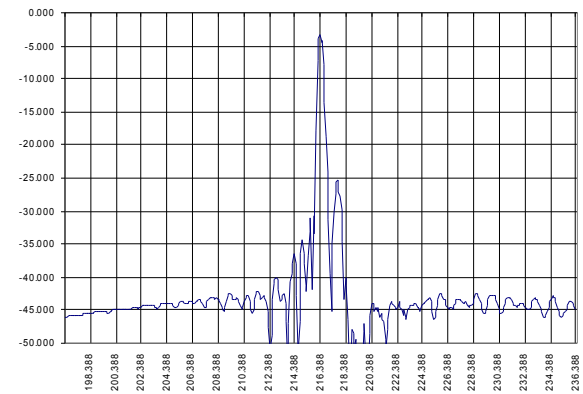
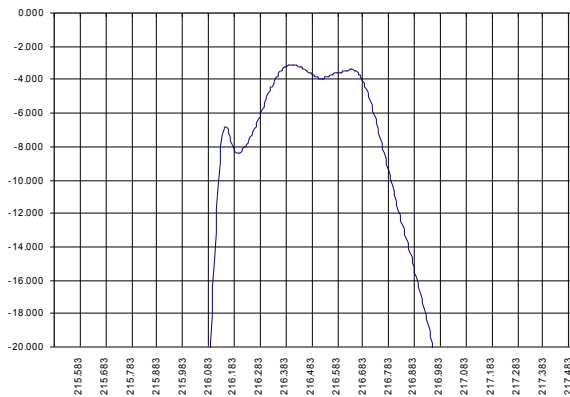
Low loss SAW 216.4875 MHz Filter

Bandwidth 0.4 MHz

Part Number A117-216.488M1

PRELIMINARY DATA

Typical performance



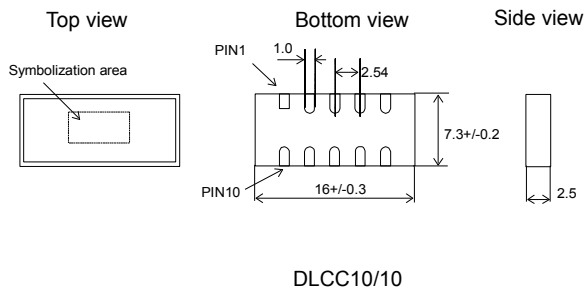
Specifications

Parameter	Unit	Min	Typ	Max
Central frequency	MHz	216.4575	216.4875	216.5175
Inserted loss	dB	2.8	3.2	3.5
Bandwidth @-2dB	MHz	0.38	0.399	0.45
Bandwidth @-40dB (first nulls)	MHz	-	4.0	-
Amplitude ripple	dB	-	1.0	1.2
Ultimate rejection	dB	-	40	-
Substrate			36Quartz	
Temperature range	°C	-55	22	85

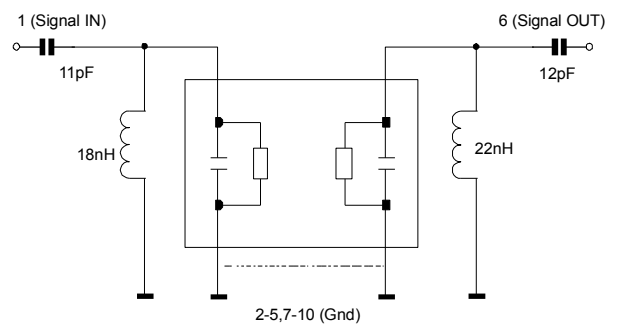
Notes:

1. The design, manufacturing process, and specifications of this filter are subject to change.
2. Specification valid for measurements in AEC Design test fixture

Case



Matching



Matching conditions depended on PCB layout