

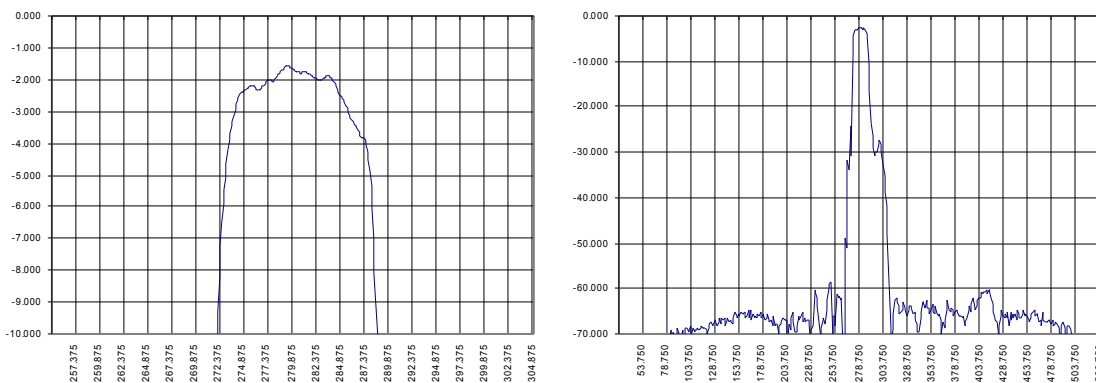
SAW 280 MHz Filter

Bandwidth 12 MHz

Part Number A114-280M1

PRELIMINARY DATA

Typical performance



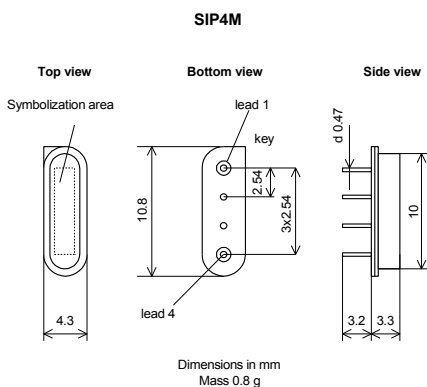
Specifications

Parameter	Unit	Min	Typ	Max
Central frequency	MHz	279.60	280.00	280.40
Inserted loss (unmatched)	dB	-	1.6	2.0
Bandwidth @-2dB	MHz	12.00	13.50	13.80
Bandwidth @-20dB	MHz	-	19.50	-
Bandwidth @-40dB	MHz	-	41.00	-
Amplitude ripple	dB	-	1.0	1.9
Ultimate rejection	dB	-	60.0	-
Substrate			64 YX LNO	
Temperature range	°C	-55	22	85

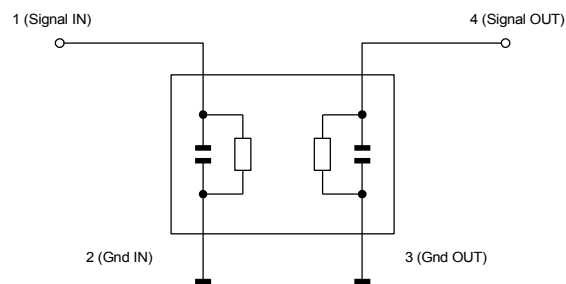
Notes:

1. The design, manufacturing process, and specifications of this filter are subject to change.
2. Specification valid for measurements in AEC Design test fixture

Case



Matching



Z_{in}=Z_{out}=50 Ohm
No matching required