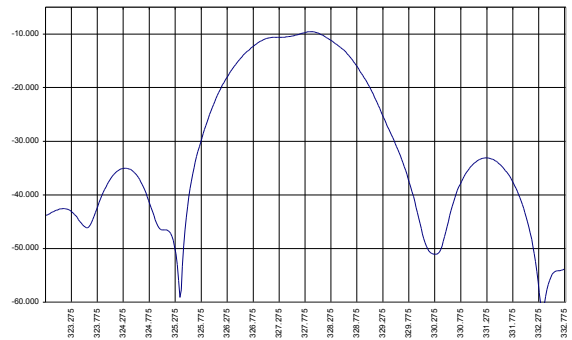
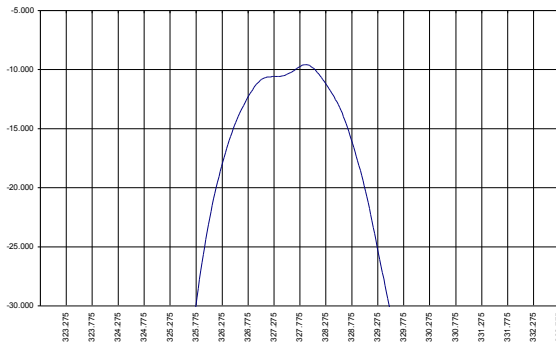


SAW 327.8 MHz Filter
Bandwidth 1.5 MHz
Part Number A104-327.8M1

PRELIMINARY DATA

Typical performance



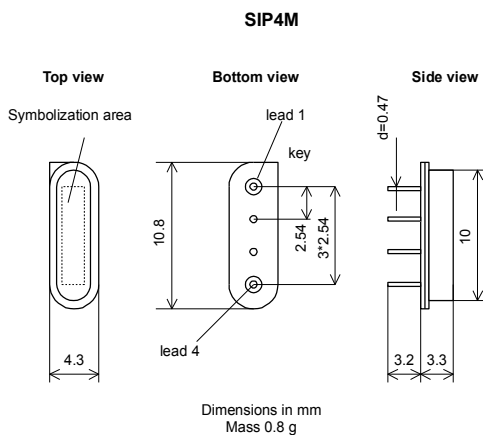
Specifications

Parameter	Unit	Min	Typ	Max
Central frequency	MHz	327.70	327.80	327.90
Inserted loss (unmatched)	dB	8.0	9.0	9.8
Bandwidth @-3dB	MHz	1.4	1.5	-
Bandwidth @-20dB	MHz	-	3.2	-
Bandwidth @-30dB	MHz	-	10.00	-
Amplitude ripple	dB	-	1.8	2.0
Ultimate rejection	dB	-	40.0	-
Substrate		-	Quartz	-
Temperature range	°C	-55	22	85

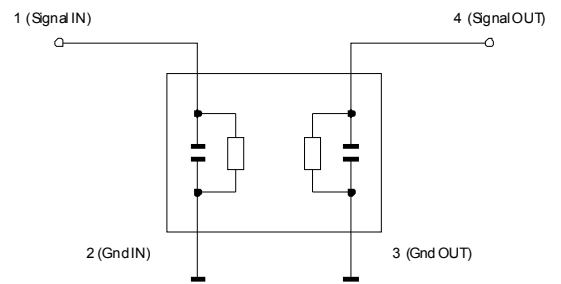
Notes:

1. The design, manufacturing process, and specifications of this filter are subject to change.
2. Specification valid for measurements in AEC Design test fixture

Case



Matching



$Z_{in}=Z_{out}=50 \text{ Ohm}$
 Seris inductor 68 nH/parallel capacitor 10pF
 on both ports