

LOW IL SAW 306.5 MHz Filter

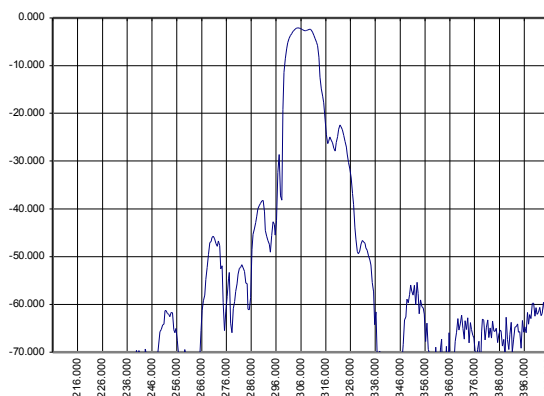
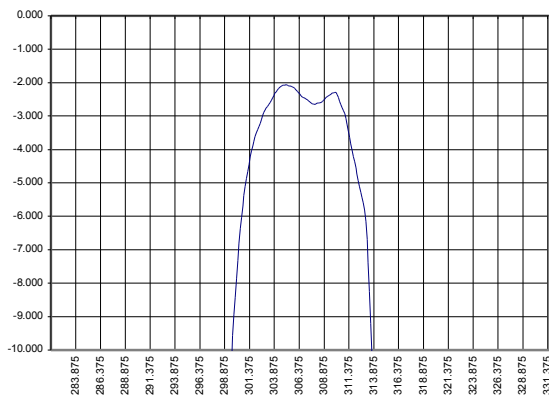
Bandwidth 10 MHz

Part Number A095-306.5M1

Complies with Directive 2002/95/EC (RoHS)

PRELIMINARY DATA

Typical performance



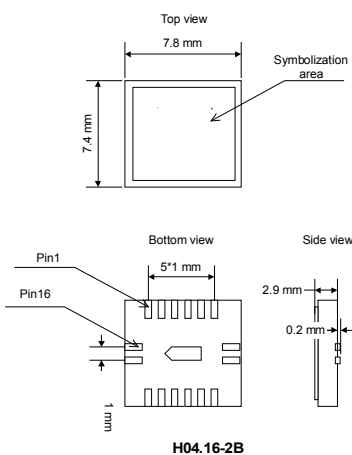
Specifications

Parameter	Unit	Min	Typ	Max
Central frequency	MHz	306.0	306.5	307.0
Inserted loss	dB	-	2.1	2.3
Bandwidth @-2dB	MHz	-	10	-
Bandwidth @-30dB	MHz	-	29.5	-
Amplitude ripple	dB	-	0.8	1.5
Ultimate rejection	dB	-	50	-
Substrate	-	-	64 YX LiNbO3	-
Temperature range	°C	-55	22	85

Notes:

1. The design, manufacturing process, and specifications of this filter are subject to change.
2. Specification valid for measurements in AEC Design test fixture.

Case



H04.16-2B

Matching

