

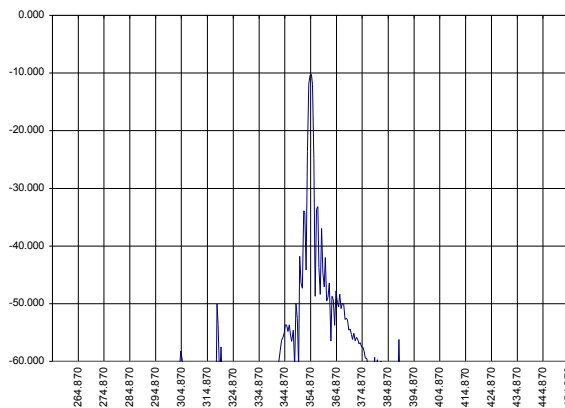
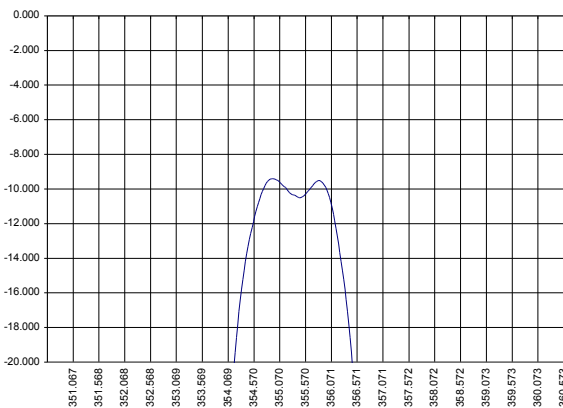
Low Loss SAW 355.37 MHz Filter

Bandwidth 1.5 MHz

Part Number A094-355.37M1

PRELIMINARY DATA

Typical performance



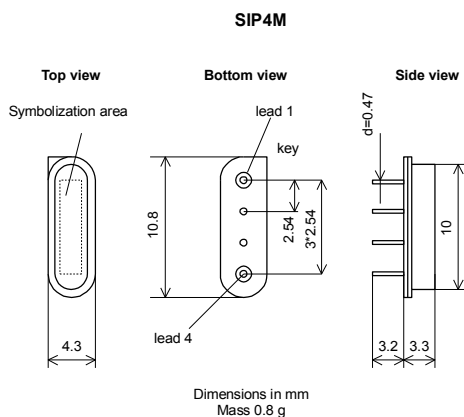
Specifications

Parameter	Unit	Min	Typ	Max
Central frequency	MHz	355.27	355.37	355.47
Inserted loss (unmatched)	dB	8.0	8.5	9.5
Bandwidth @-3dB	MHz	1.40	1.50	1.65
Bandwidth @-20dB	MHz	-	2.8	-
Bandwidth @-30dB	MHz	-	7.60	-
Amplitude ripple	dB	-	2.0	2.5
Ultimate rejection	dB	-	45.0	-
Substrate	-	-	Quartz	-
Temperature range	°C	-55	22	85

Notes:

1. The design, manufacturing process, and specifications of this filter are subject to change.
2. Specification valid for measurements in AEC Design test fixture

Case



Matching

