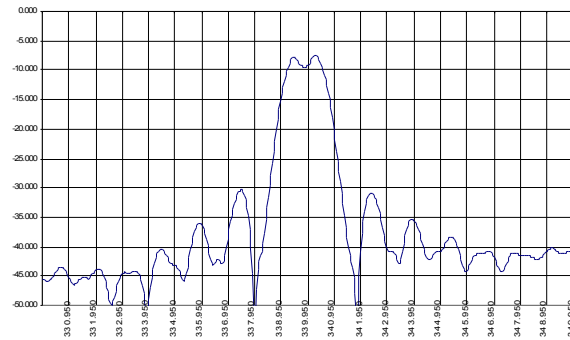


Low Loss SAW 340 MHz Filter

Bandwidth 1.3 MHz

Part Number A094-340M1

Typical performance



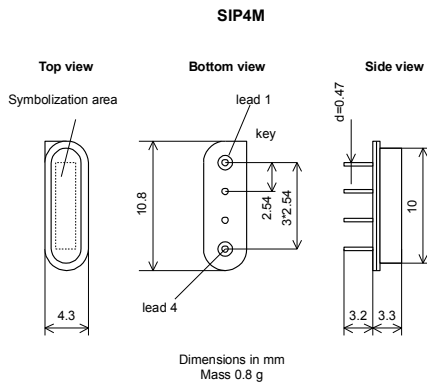
Specifications

Parameter	Unit	Min	Typ	Max
Central frequency	MHz	339.90	340.00	340.10
Inserted loss	dB	7.0	7.4	8.4
Bandwidth @-3dB	MHz	1.2	1.3	-
Bandwidth @-20dB	MHz	-	2.5	-
Bandwidth @-30dB	MHz	-	9.00	-
Amplitude ripple	dB	-	1.8	2.0
Ultimate rejection	dB	-	40.0	-
Substrate		-	Quartz	-
Temperature range	°C	-55.0	22.0	85.0

Notes:

1. The design, manufacturing process, and specifications of this filter are subject to change.
2. Specification valid for measurements in AEC Design test fixture

Case



Matching

