

## SAW 60 MHz Filter

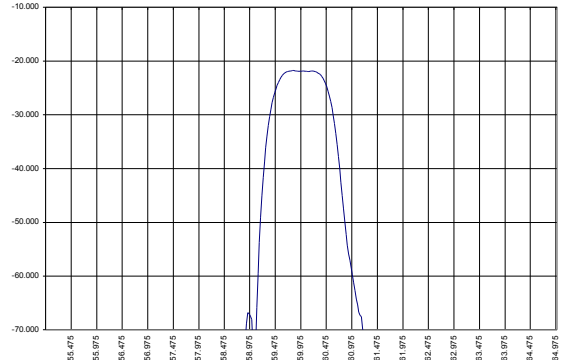
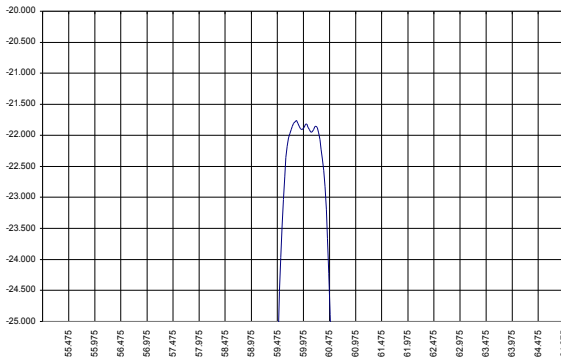
Bandwidth 0.7 MHz

Part Number A093-60M1

Complies with Directive 2002/95/EC (RoHS)

PRELIMINARY DATA

### Typical performance



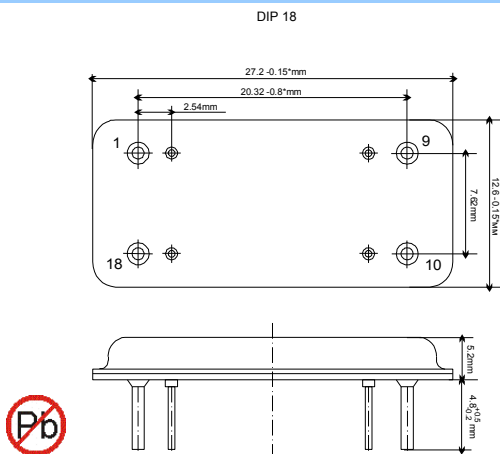
### Specifications

Parameter	Unit	Min	Typ	Max
Central frequency	MHz	59.95	60.00	60.05
Inserted loss (tuned)	dB	21.0	21.8	22.5
Bandwidth @-1dB	MHz	0.70	0.77	0.80
Bandwidth @-3dB	MHz	0.90	0.97	1.00
Bandwidth @-40dB	MHz	-	1.97	2.00
Amplitude ripple (100% @-1 dB bandwidth)	dB	-	0.3	-
Ultimate rejection	dB	45	50	-
Substrate	-	-	ST Quartz	-
Temperature range	°C	-55	22	85

#### Notes:

1. The design, manufacturing process, and specifications of this filter are subject to change.
2. Specification valid for measurements in AEC Design test fixture.

### Case



### Matching

