

Low Loss SAW 560 MHz Filter

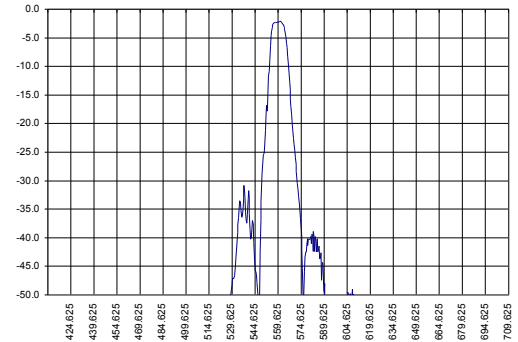
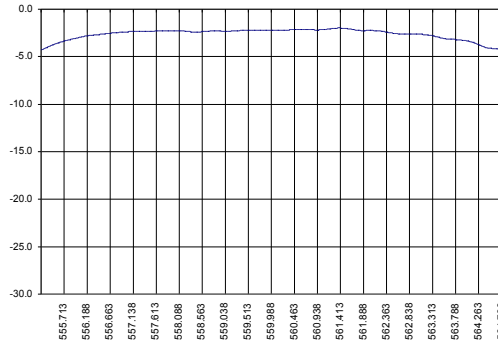
Bandwidth 9 MHz

Part Number A091-560M1

Complies with Directive 2002/95/EC (RoHS)

PRELIMINARY DATA

Typical performance



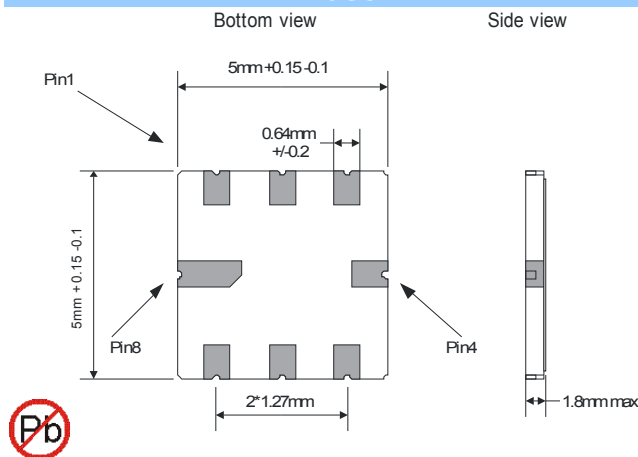
Specifications

Parameter	Unit	Min	Typ	Max
Central frequency	MHz	559.4	560.0	560.6
Inserted loss	dB	2.0	2.2	2.7
Bandwidth @-2dB	MHz	8.5	9.0	9.5
Bandwidth @-35dB	MHz	40	42	45
Amplitude ripple (in bandwidth 7 MHz)	dB	-	0.7	1.0
Ultimate rejection	dB	58	40	-
Substrate	-	-	36 YX LiTaO3	-
Temperature range	°C	-55	22	85

Notes:

- The design, manufacturing process, and specifications of this filter are subject to change.
- Specification valid for measurements in AEC Design test fixture.

Case



Matching

