

IF GPS SAW 191.4 MHz Filter

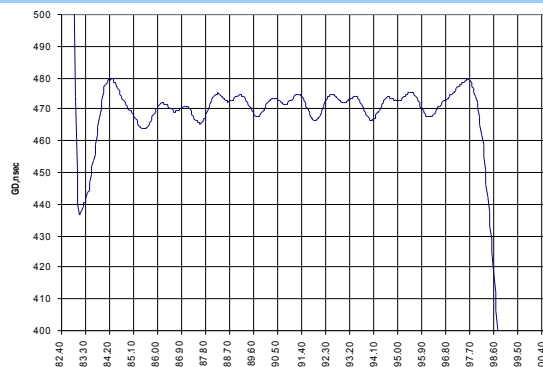
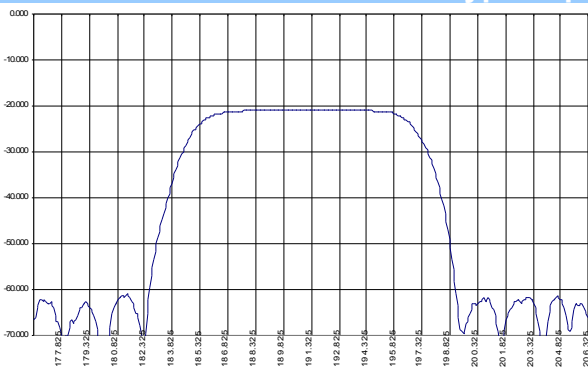
Bandwidth 9.7 MHz

Part Number A086-191.4M1

Complies with Directive 2002/95/EC (RoHS)

PRELIMINARY DATA

Typical performance



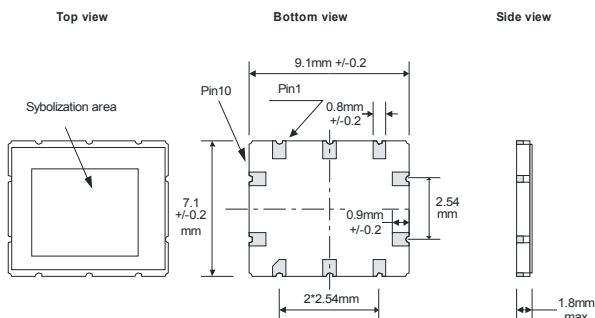
Specifications

Parameter	Unit	Min	Typ	Max
Central frequency	MHz	191.30	191.40	191.60
Inserted loss (matched)	dB	20.0	20.5	21.5
Bandwidth @-1.2dB	MHz	9.60	9.70	-
Bandwidth @-2dB	MHz	-	10.60	-
Bandwidth @-30dB	MHz	-	15.90	-
Amplitude ripple	dB	0.4	0.8	1.2
Group delay ripple	nsec	-	9.0	12.0
Ultimate rejection	dB	38.0	-	-
Substrate		-	112 XY LiTaO3	-
Temperature range	°C	-55.0	22.0	85.0

Notes:

1. The design, manufacturing process, and specifications of this filter are subject to change.
2. Specification valid for measurements in AEC Design test fixture.

Case



Matching

