

## Low Loss SAW 145 MHz Filter

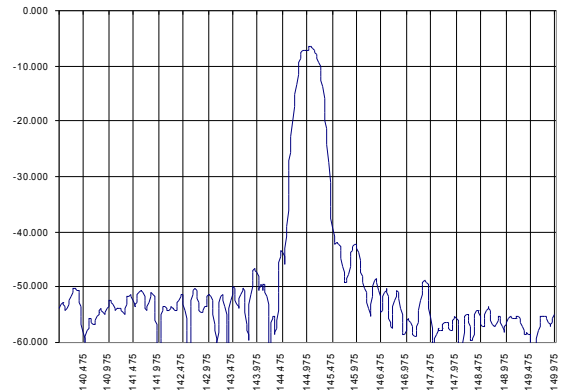
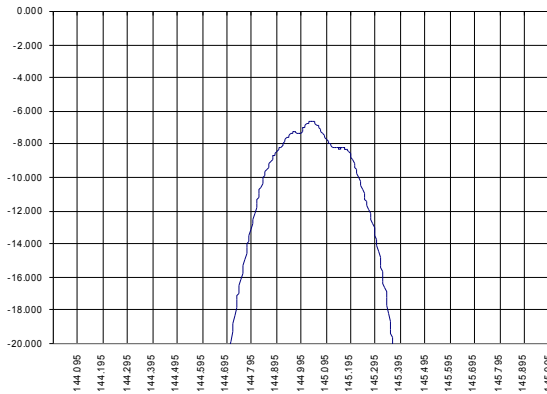
Bandwidth 0.36 MHz

Part Number A080-145M1

Complies with Directive 2002/95/EC (RoHS)

PRELIMINARY DATA

### Typical performance



### Specifications

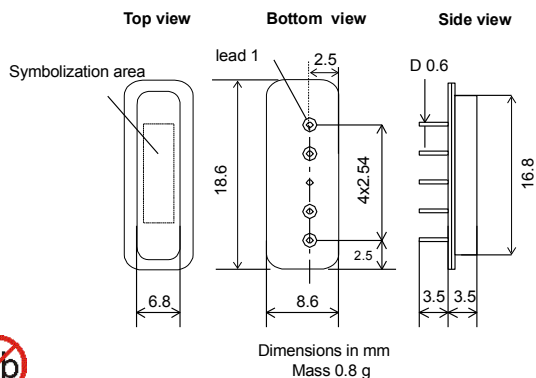
Parameter	Unit	Min	Typ	Max
Central frequency	MHz	144.97	145.00	145.03
Inserted loss (unmatched)	dB	6.0	6.5	7.0
Bandwidth @-2dB	MHz	-	0.36	-
Bandwidth @-35dB	MHz	-	1	-
Amplitude ripple	dB	-	1	-
Ultimate rejection	dB	-	50	-
Substrate	-		36Quartz	
Temperature range	°C	-55	22	85

#### Notes:

- The design, manufacturing process, and specifications of this filter are subject to change.
- Specification valid for measurements in AEC Design test fixture.

### Case

SIP6M



### Matching

