

IF GPS SAW 161.4 MHz Filter

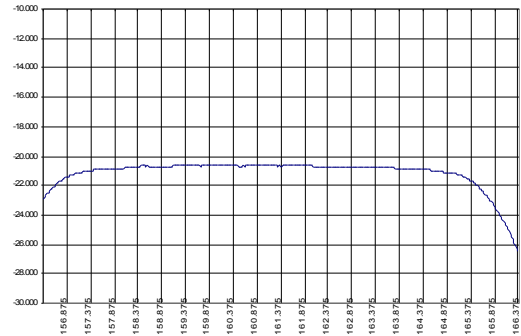
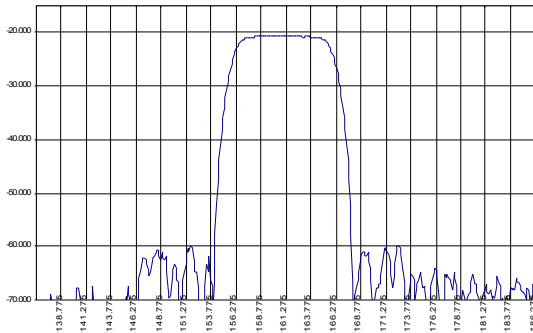
Bandwidth 8 MHz

Part Number A078-161.4M1

Complies with Directive 2002/95/EC (RoHS)

PRELIMINARY DATA

Typical performance



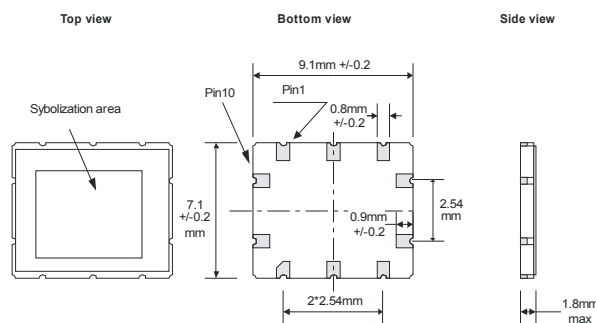
Specifications

Parameter	Unit	Min	Typ	Max
Central frequency	MHz	161.20	161.40	161.60
Inserted loss (matched)	dB	20.0	20.5	21.0
Bandwidth @-1.2dB	MHz	8.00	8.55	-
Bandwidth @-2dB	MHz	-	9.20	-
Bandwidth @-30dB	MHz	-	13.25	-
Amplitude ripple	dB	-	0.5	1.2
Group delay ripple	nsec	8.00	10.00	12.00
Ultimate rejection	dB	37.0	-	-
Substrate		-	112 XY LiTaO3	-
Temperature range	°C	-55.0	22.0	85.0

Notes:

1. The design, manufacturing process, and specifications of this filter are subject to change.
2. Specification valid for measurements in AEC Design test fixture.

Case



Matching

