

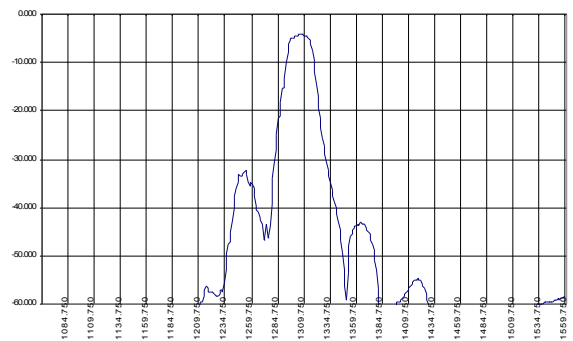
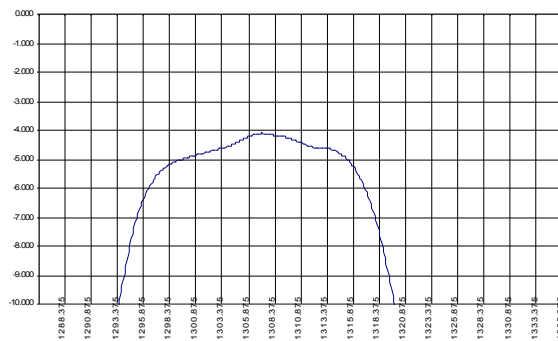
Low Loss SAW 1311 MHz Filter

Bandwidth 21 MHz

Part Number A075-1311M1

PRELIMINARY DATA

Typical performance



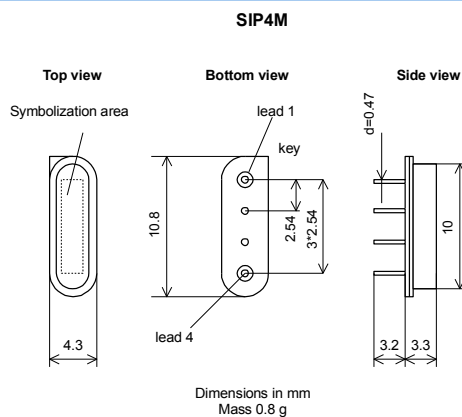
Specifications

Parameter	Unit	Min	Typ	Max
Central frequency	MHz	1307.00	1311.00	1314.00
Inserted loss	dB	3.8	4.0	4.5
Bandwidth @-2dB	MHz	-	21.1	-
Bandwidth @-25dB	MHz	-	50.0	-
Bandwidth @-40dB	MHz	-	100.00	-
Amplitude ripple	dB	-	0.6	1.0
Ultimate rejection	dB	45.0	50.0	-
Substrate	-	-	36 LTO	-
Temperature range	°C	-55.0	22.0	85.0

Notes:

1. The design, manufacturing process, and specifications of this filter are subject to change.
2. Specification valid for measurements in AEC Design test fixture

Case



Matching

