

Low Loss SAW 113.5 MHz Filter

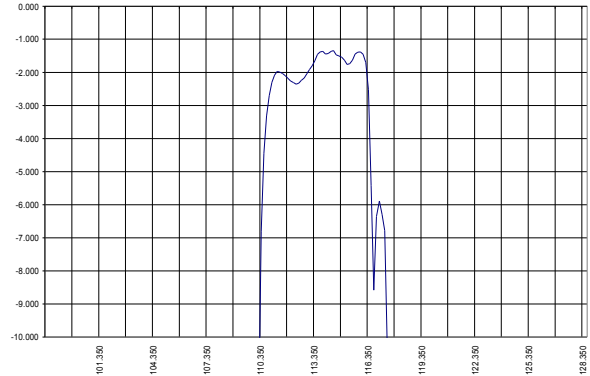
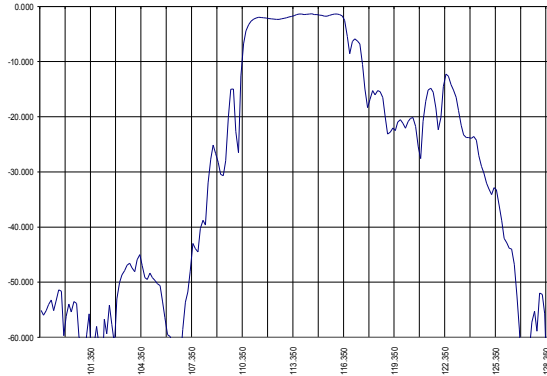
Bandwidth 5.2 MHz

Part Number A072-113.5M1

Complies with Directive 2002/95/EC (RoHS)

PRELIMINARY DATA

Typical performance



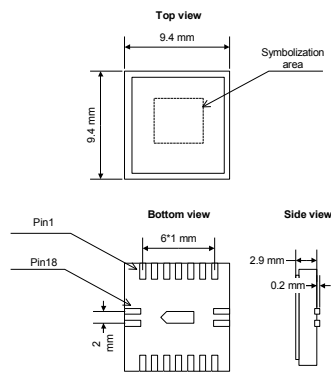
Specifications

Parameter	Unit	Min	Typ	Max
Central frequency	MHz	113.3	113.5	113.7
Inserted loss	dB	1.0	1.1	1.3
Bandwidth @-1dB	MHz	5.1	5.2	5.5
Bandwidth @-30dB	MHz	-	24	-
Amplitude ripple (100% @-1 dB bandwidth)	dB	0.7	0.9	1.0
Ultimate rejection	dB	45	50	-
Substrate	-	-	49LNO	-
Temperature range	°C	-55	22	85

Notes:

- The design, manufacturing process, and specifications of this filter are subject to change.
- Specification valid for measurements in AEC Design test fixture.

Case



mass
0.8g

Matching

