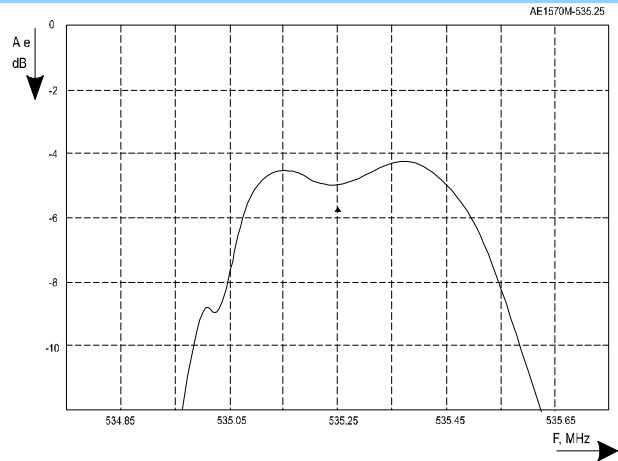
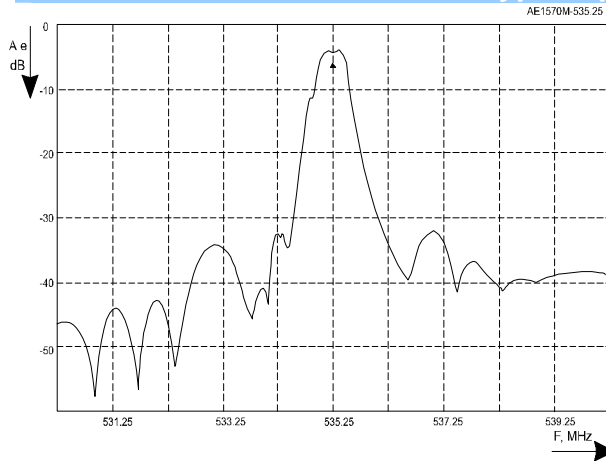


# Low Loss SAW 535.25 MHz Filter

Bandwidth 0.4 MHz

AEC Part Number AE1570M-535.25

## Typical performance



## Specifications

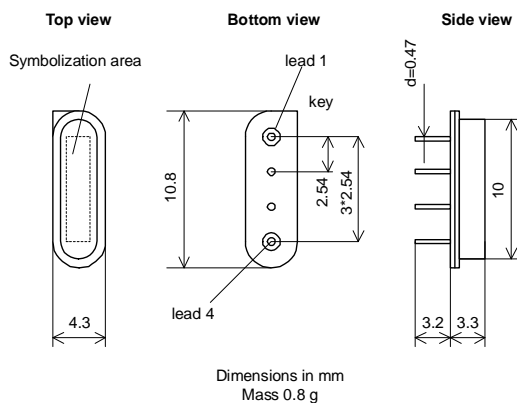
Parameter	Unit	Min	Typ	Max
Central frequency	MHz	535.20	535.25	535.30
Inserted loss (unmatched)	dB	3.5	4.5	6.0
Bandwidth @ -1dB	MHz	0.35	0.40	0.45
Bandwidth @ -30dB	MHz	-	3.10	-
Amplitude ripple	dB	0.4	0.5	1.0
IL variation over temperature range	dB	-	0.8	1
Ultimate rejection	dB	40.0	45.0	47.0
Substrate			36YX Quartz	
TCF		-	$60 \times 10^{-9} / ^\circ\text{C}^2$	-
Turnover temperature	$^\circ\text{C}$	25	35	45
Temperature range	$^\circ\text{C}$	-55		85

### Notes:

1. The design, manufacturing process, and specifications of this filter are subject to change.
2. Specification valid for measurements in AEC test fixture

## Case

SIP4M



## Matching

