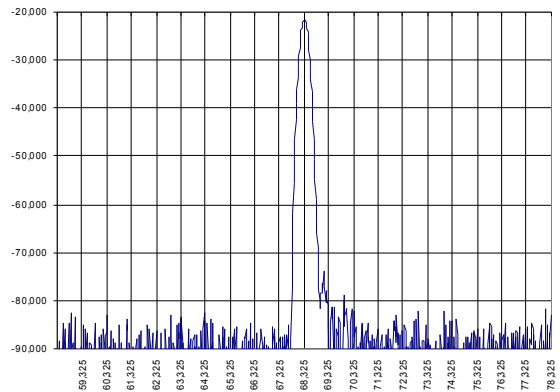
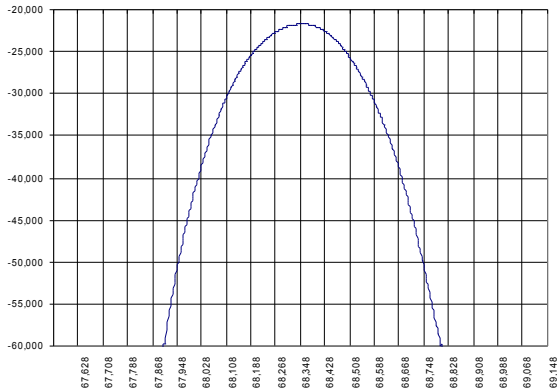


SAW 68.35 MHz Filter
Bandwidth 280 KHz
Part Number A067-68.35M2

Complies with Directive 2002/95/EC (RoHS)

PRELIMINARY DATA

Typical performance



Specifications

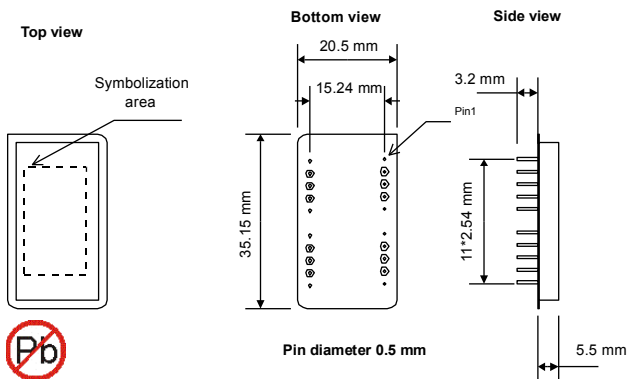
Parameter	Unit	Min	Typ	Max
Central frequency	MHz	68.340	68.350	68.360
Inserted loss (unmatched)	dB	21.5	22	22.5
Bandwidth @-3dB	MHz	0.27	0.28	0.3
Bandwidth @-40dB	MHz	-	0.92	0.96
Ultimate rejection	dB	-	55	-
Substrate	-	-	36 YX quartz	-
Temperature range	°C	-40	22	85

Notes:

1. The design, manufacturing process, and specifications of this filter are subject to change.
2. Specification valid for measurements in AEC Design test fixture.

Case

SIEMENS DIP24
Mass approx.10.4g



Matching

