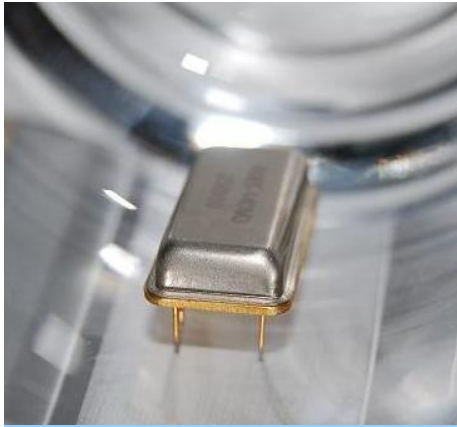


SAW 140 MHz Filter

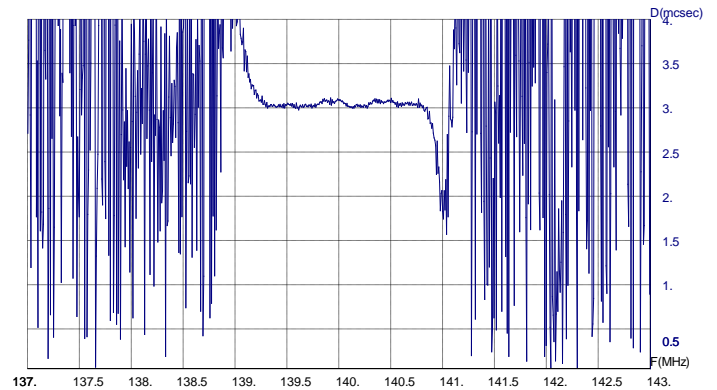
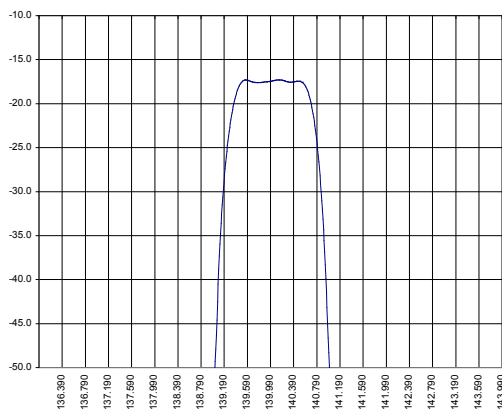
Bandwidth 1.2 MHz

Part Number A065-140M3



PRELIMINARY DATA

Typical performance



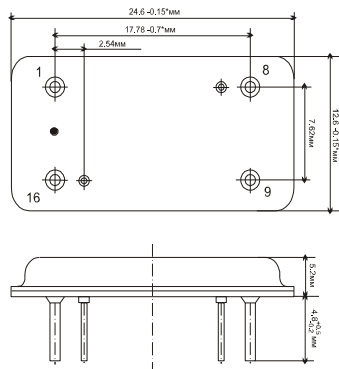
Specifications

| Parameter | Unit | Min | Typ | Max |
|-------------------------|--------------------|--------|-----------|--------|
| Central frequency | MHz | 139.07 | 140.00 | 140.03 |
| Inserted loss (matched) | dB | 16.0 | 16.5 | 17.3 |
| Bandwidth @-1dB | MHz | 1.15 | 1.20 | 1.28 |
| Bandwidth @-30dB | MHz | - | 1.95 | 2.1 |
| Amplitude ripple | dB | 0.7 | 0.9 | 1.0 |
| Ultimate rejection | dB | 45.0 | 50.0 | - |
| Substrate | | | ST Quartz | |
| Temperature range | $^{\circ}\text{C}$ | -55 | 22 | 85 |

Notes:

1. The design, manufacturing process, and specifications of this filter are subject to change.
2. Specification valid for measurements in AEC Design test fixture

Case



Matching

