

SAW Low Loss 69.872 MHz Filter

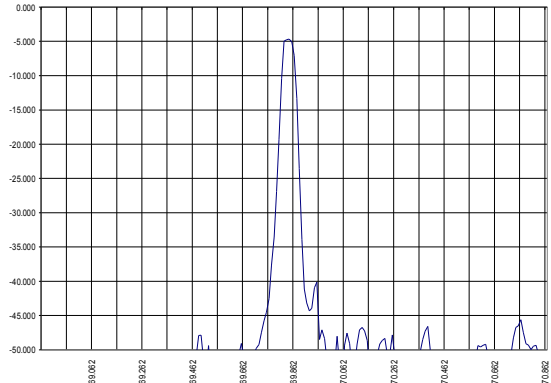
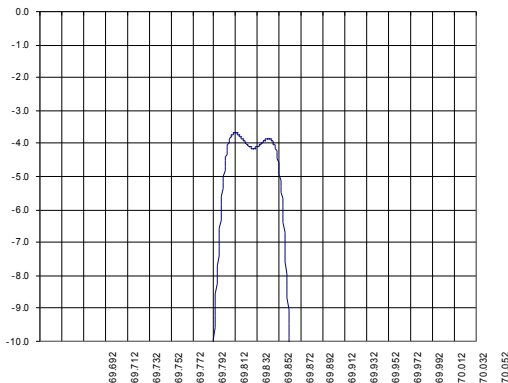
Bandwidth 0.04 MHz

Part Number A060-69.872M2

Complies with Directive 2002/95/EC (RoHS)

PRELIMINARY DATA

Typical performance



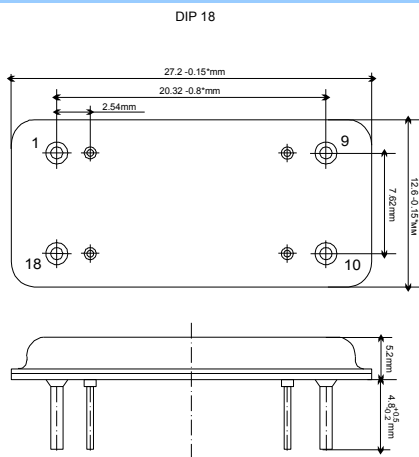
Specifications

Parameter	Unit	Min	Typ	Max
Central frequency	MHz	69.869	69.872	69.875
Inserted loss (unmatched)	dB	-	4.0	5.0
Bandwidth @-2dB	MHz	0.03	0.04	0.05
Bandwidth @-30dB	MHz	-	0.2	-
Amplitude ripple	dB	-	1	-
Ultimate rejection	dB	-	-60	-
Substrate	-	-	37YX quartz	-
Temperature range	°C	-55	22	85

Notes:

1. The design, manufacturing process, and specifications of this filter are subject to change.
2. Specification valid for measurements in AEC Design test fixture.

Case



Matching

