

# Low Loss SAW 467 MHz Filter

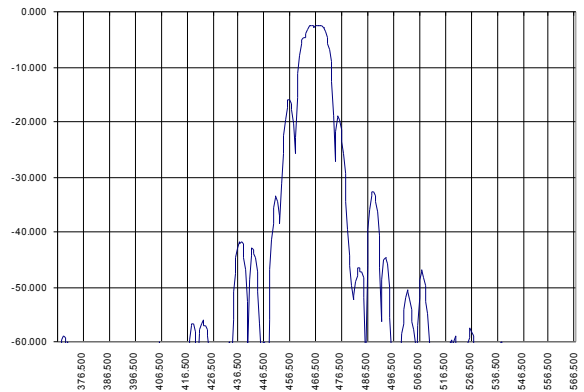
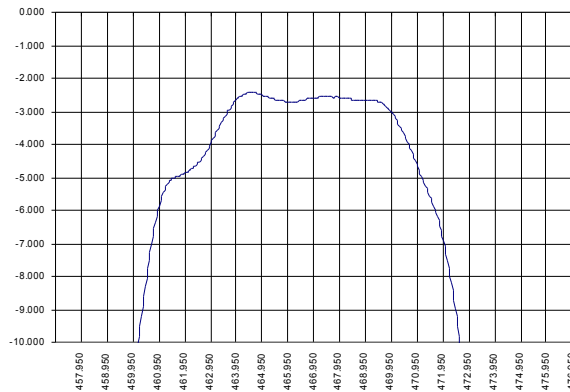
Bandwidth 8.25 MHz

Part Number A058-467M1

Complies with Directive 2002/95/EC (RoHS)

PRELIMINARY DATA

## Typical performance



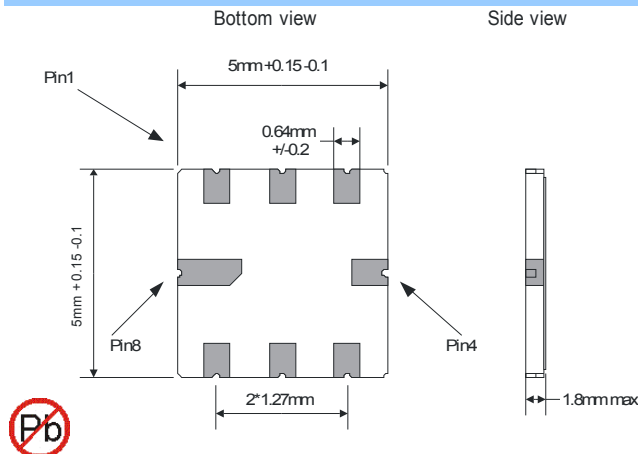
## Specifications

Parameter	Unit	Min	Typ	Max
Central frequency	MHz	466.25	467.00	467.75
Inserted loss (unmatched)	dB	-	2.2	2.6
Bandwidth @-2dB	MHz	8	8.25	9
Bandwidth @-30dB	MHz	-	24.5	-
Amplitude ripple	dB	-	1	2
Ultimate rejection	dB	-	60	-
Substrate	-	-	128 YX LiNbO3	-
Temperature range	°C	-55	22	85

### Notes:

1. The design, manufacturing process, and specifications of this filter are subject to change.
2. Specification valid for measurements in AEC Design test fixture.

## Case



## Matching

