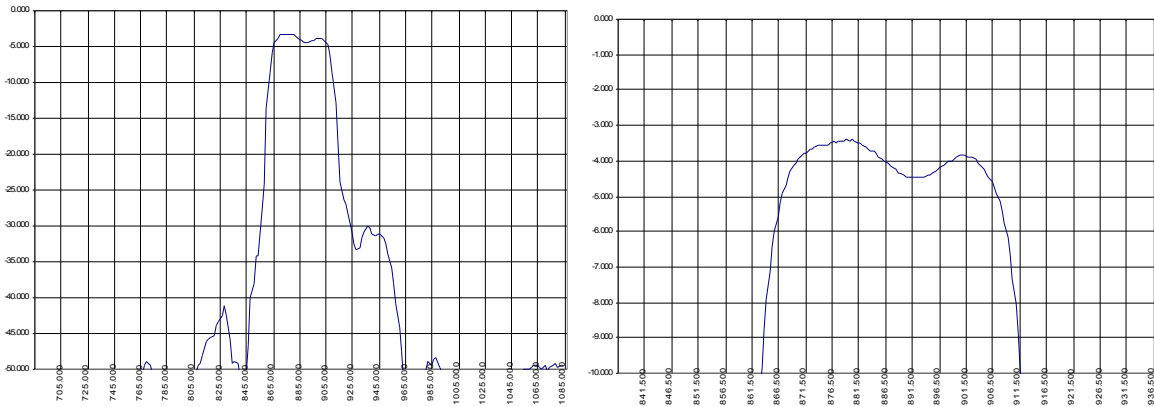


Low Loss SAW 887 MHz Filter

Bandwidth 41 MHz

Part Number A055-887M2

Typical performance



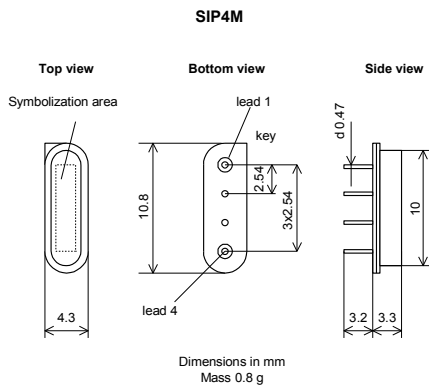
Specifications

Parameter	Unit	Min	Typ	Max
Central frequency	MHz	885.00	887.00	889.00
Inserted loss	dB	2.5	3.0	3.5
Bandwidth @-2dB	MHz	38.00	41.00	43.00
Bandwidth @-30dB	MHz	-	97.00	-
Amplitude ripple	dB	-	1.3	1.5
Ultimate rejection	dB	40.0	45.0	-
Substrate		-	64 YX LiNbO3	-
Temperature range	°C	-55.0	22.0	85.0

Notes:

1. The design, manufacturing process, and specifications of this filter are subject to change.
2. Specification valid for measurements in AEC Design test fixture

Case



Matching

