

Low Loss SAW 836.5 MHz Filter

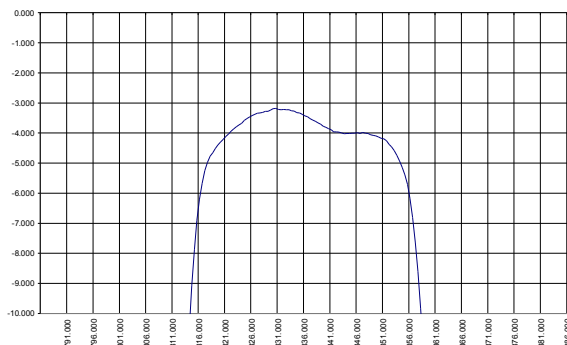
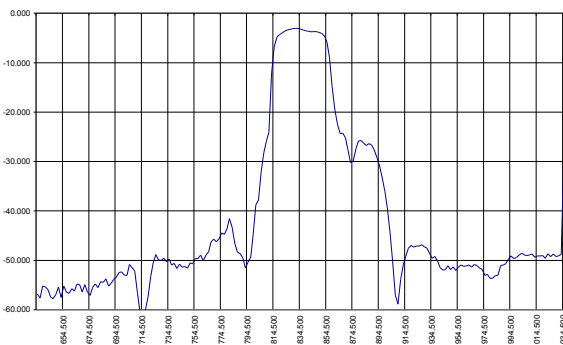
Bandwidth 36 MHz

Part Number A055-836.5M1

Complies with Directive 2002/95/EC (RoHS)

PRELIMINARY DATA

Typical performance



Specifications

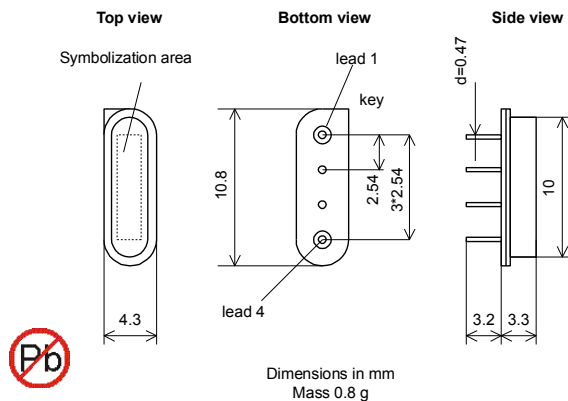
Parameter	Unit	Min	Typ	Max
Central frequency	MHz	834.5	836.5	838.5
Inserted loss	dB		3.0	3.5
Bandwidth @-2dB	MHz	34.0	37.5	38.0
Bandwidth @-30dB	MHz	-	94	-
Amplitude ripple	dB	0.7	0.9	1.5
Ultimate rejection	dB	40	45	-
Substrate	-	-	64 YX LiNbO3	-
Temperature range	°C	-55	22	85

Notes:

1. The design, manufacturing process, and specifications of this filter are subject to change.
2. Specification valid for measurements in AEC Design test fixture.

Case

SIP4M



Matching

