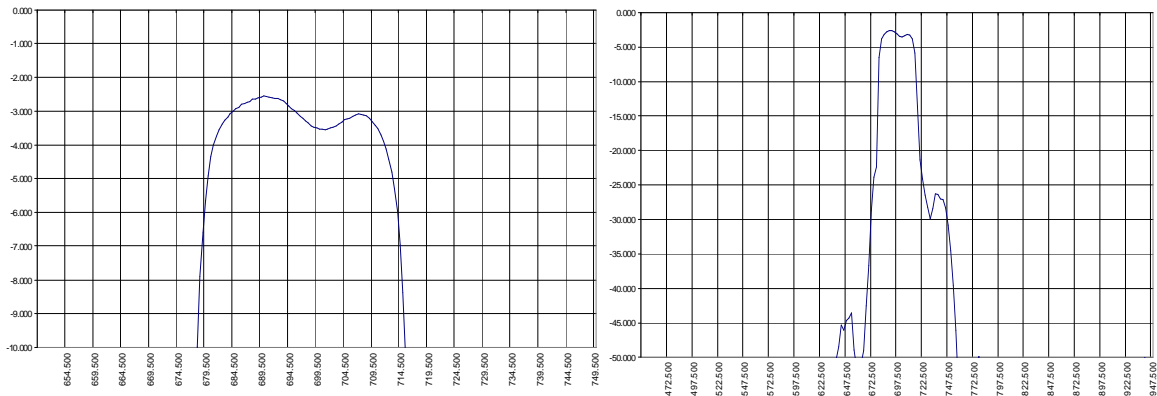


Low Loss SAW 700 MHz Filter

Bandwidth 32 MHz

Part Number A055-700M1

Typical performance



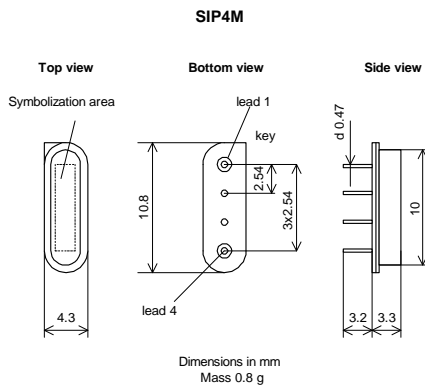
Specifications

| Parameter | Unit | Min | Typ | Max |
|--------------------|------|--------|--------------------------|--------|
| Central frequency | MHz | 697.25 | 700.00 | 702.50 |
| Inserted loss | dB | 2.5 | 2.6 | 3.0 |
| Bandwidth @-2dB | MHz | 30.00 | 32.50 | 33.00 |
| Bandwidth @-30dB | MHz | - | 65.00 | - |
| Amplitude ripple | dB | 0.8 | 1.2 | 1.5 |
| Ultimate rejection | dB | - | 40.0 | - |
| Substrate | | | 64 YX LiNbO ₃ | |
| Temperature range | °C | -55.0 | 22.0 | 85.0 |

Notes:

1. The design, manufacturing process, and specifications of this filter are subject to change.
2. Specification valid for measurements in AEC Design test fixture

Case



Matching

