

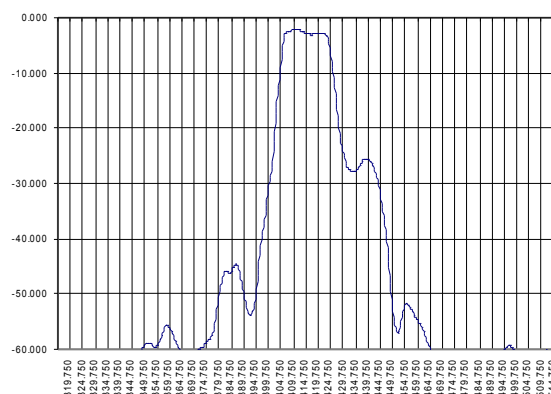
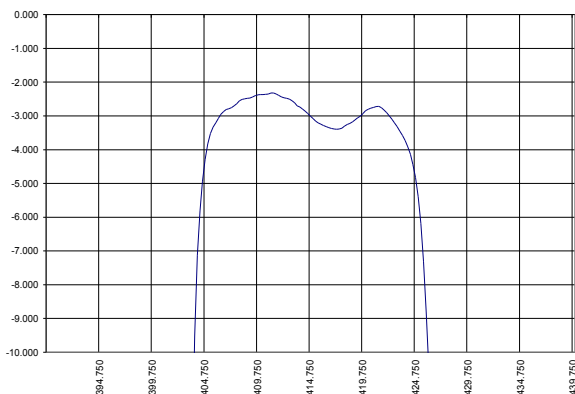
Low Loss SAW 415 MHz Filter

Bandwidth 18 MHz

Part Number A055-415M1

PRELIMINARY DATA

Typical performance



Specifications

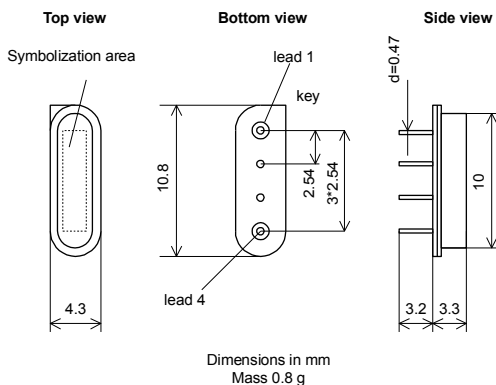
Parameter	Unit	Min	Typ	Max
Central frequency	MHz	414.20	415.00	415.80
Inserted loss (unmatched)	dB	2.0	-2.2	-3.0
Bandwidth @-2dB	MHz	-	18.0	-
Bandwidth @-40dB	MHz	-	51.5	-
Amplitude ripple	dB	-	1.2	2.0
Ultimate rejection	dB	-	60	-
Substrate			64LNO	
Temperature range	°C	-55	22	85

Notes:

1. The design, manufacturing process, and specifications of this filter are subject to change.
2. Specification valid for measurements in AEC Design test fixture

Case

SIP4M



Matching

