

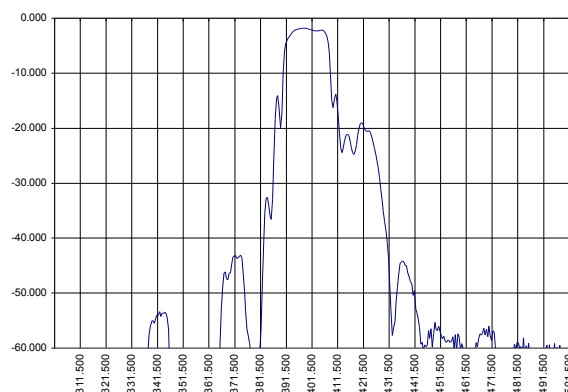
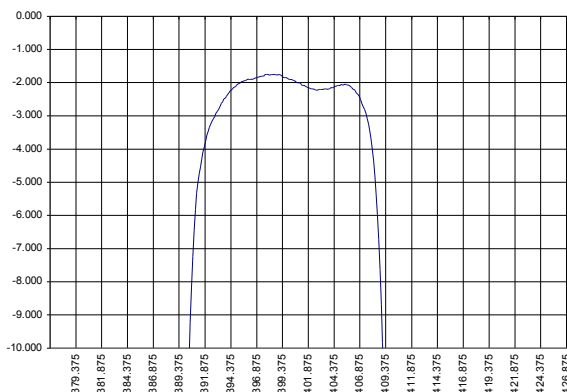
Low Loss SAW 400 MHz Filter

Bandwidth 16 MHz

Part Number A055-400M1

PRELIMINARY DATA

Typical performance



Specifications

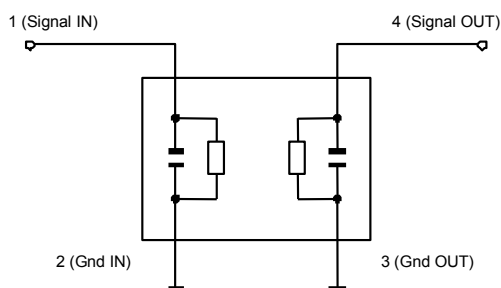
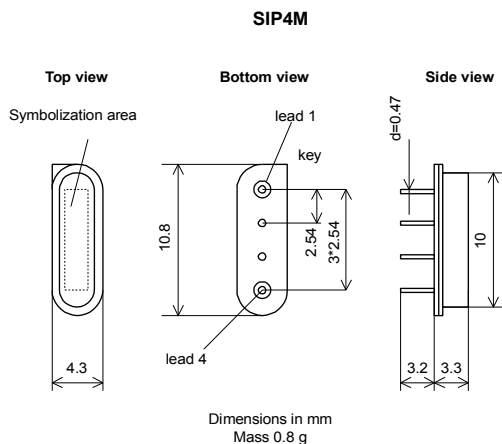
Parameter	Unit	Min	Typ	Max
Central frequency	MHz	399.20	400.00	400.80
Inserted loss (unmatched)	dB	-	1.7	2.0
Bandwidth @-2dB	MHz	-	16.0	-
Bandwidth @-40dB	MHz	-	49.0	-
Amplitude ripple	dB	-	0.9	1.6
Ultimate rejection	dB	40.0	50.0	-
Substrate		-	64 YX LiNbO3	-
Temperature range	°C	-55	22	85

Notes:

1. The design, manufacturing process, and specifications of this filter are subject to change.
2. Specification valid for measurements in AEC Design test fixture

Case

Matching



Z_{in}=Z_{out}=50 Ohm
No matching required