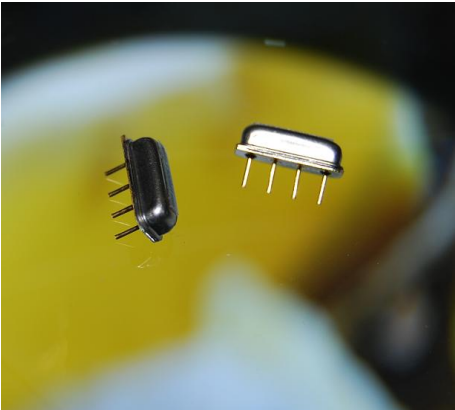


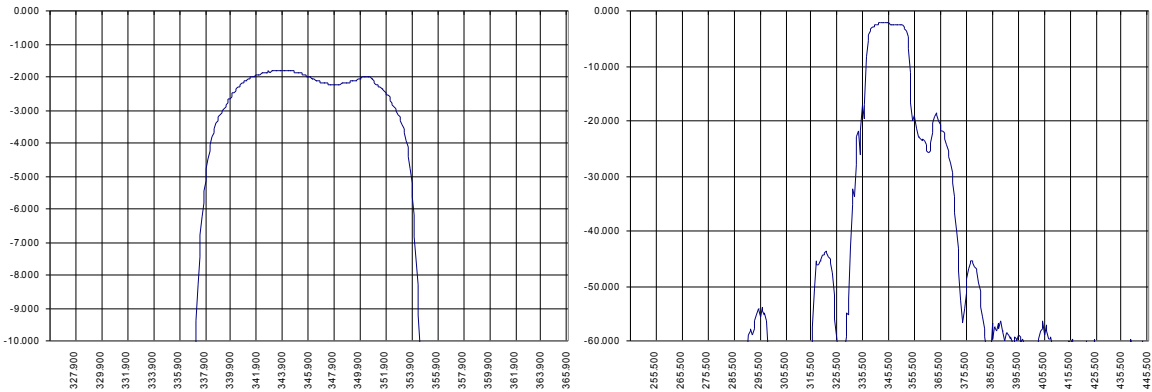
Low Loss SAW 346 MHz Filter

Bandwidth 14.9 MHz

Part Number A055-346M1



Typical performance



Specifications

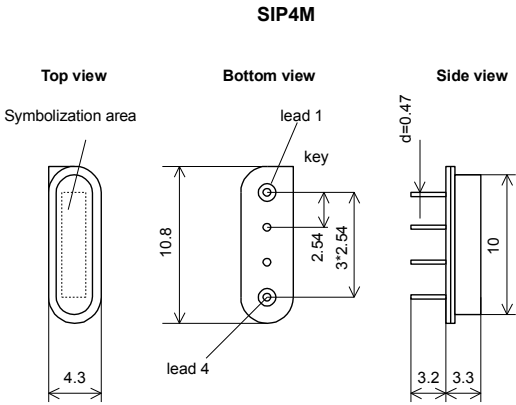
Parameter	Unit	Min	Typ	Max
Central frequency	MHz	345.50	346.00	346.50
Inserted loss	dB	-	1.8	2.0
Bandwidth @-2dB	MHz	14.40	14.90	-
Bandwidth @-40dB	MHz	-	41.00	-
Amplitude ripple	dB	-	1.0	1.5
Ultimate rejection	dB	-	55.0	-
Substrate		-	64 YX LiNbO3	-
Temperature range	°C	-55.0	22.0	85.0

Notes:

1. The design, manufacturing process, and specifications of this filter are subject to change.
2. Specification valid for measurements in AEC Design test fixture

Case

Matching



Dimensions in mm
Mass 0.8 g

