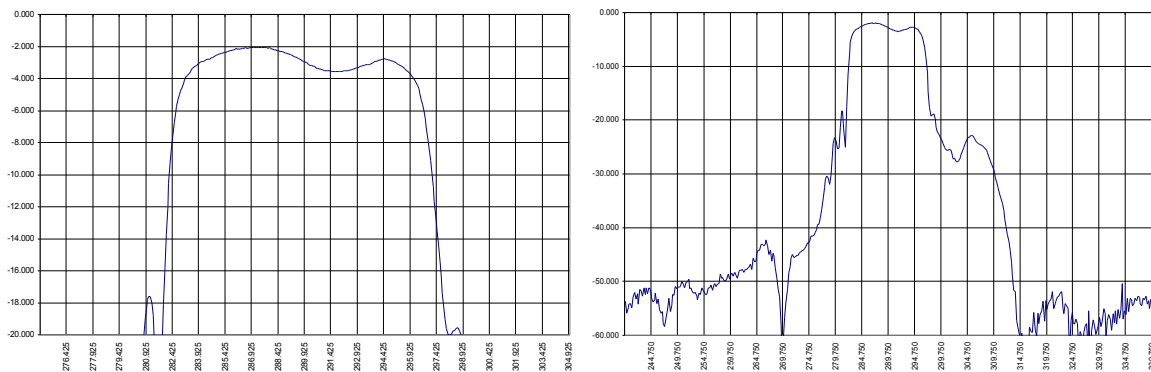


Low Loss SAW 290 MHz Filter

Bandwidth 12.5 MHz

Part Number A055-290M1

Typical performance



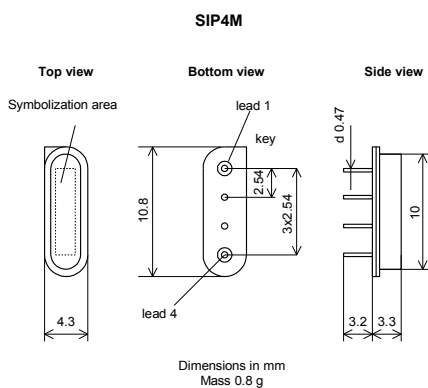
Specifications

Parameter	Unit	Min	Typ	Max
Central frequency	MHz	-	290.00	-
Inserted loss	dB	1.5	1.9	2.0
Bandwidth @-2dB	MHz	12.00	12.50	13.00
Bandwidth @-30dB	MHz	-	32.75	-
Amplitude ripple	dB	-	1.5	2.0
Ultimate rejection	dB	-	45.0	-
Substrate		-	64LNO	-
Temperature range	°C	-55.0	22.0	85.0

Notes:

1. The design, manufacturing process, and specifications of this filter are subject to change.
2. Specification valid for measurements in AEC Design test fixture

Case



Matching

