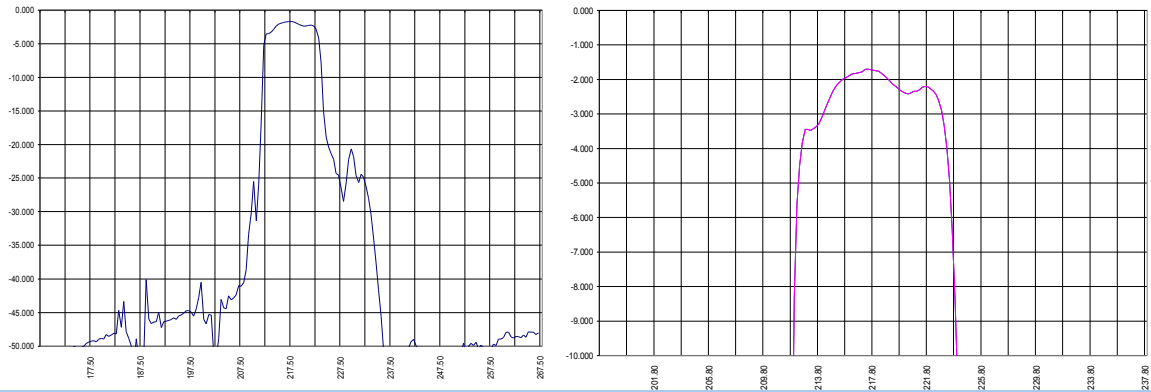


## Low Loss SAW 218 MHz Filter Bandwidth 10.5 MHz

Part Number A055-218M1

### Typical performance



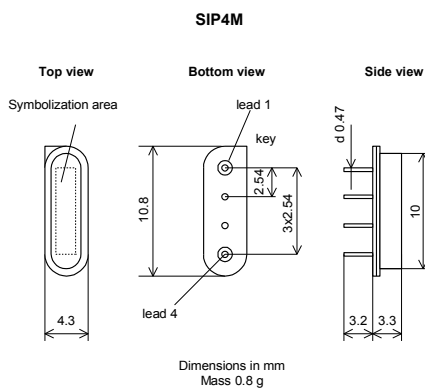
### Specifications

Parameter	Unit	Min	Typ	Max
Central frequency	MHz	217.50	218.00	218.50
Inserted loss	dB	1.5	1.8	2.5
Bandwidth @-2dB	MHz	10.00	10.50	11.50
Bandwidth @-40dB	MHz	-	27.00	-
Amplitude ripple	dB	0.4	0.5	1.0
Ultimate rejection	dB	40.0	50.0	-
Substrate		-	64 YX LiNbO3	-
Temperature range	°C	-55.0	22.0	85.0

#### Notes:

1. The design, manufacturing process, and specifications of this filter are subject to change.
2. Specification valid for measurements in AEC Design test fixture

### Case



### Matching

