

Low Loss SAW 160 MHz Filter

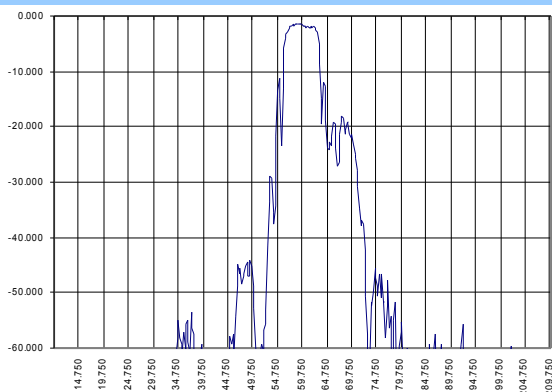
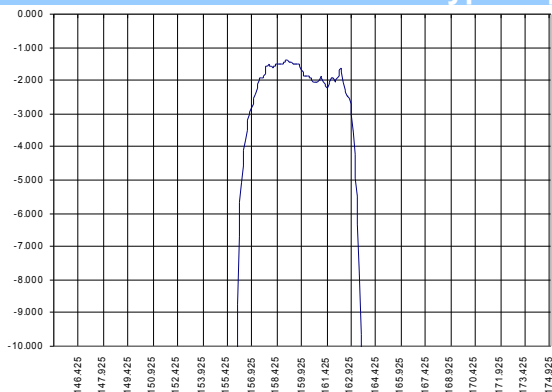
Bandwidth 6.4 MHz

Part Number A055-160M1

Complies with Directive 2002/95/EC (RoHS)

PRELIMINARY DATA

Typical performance



Specifications

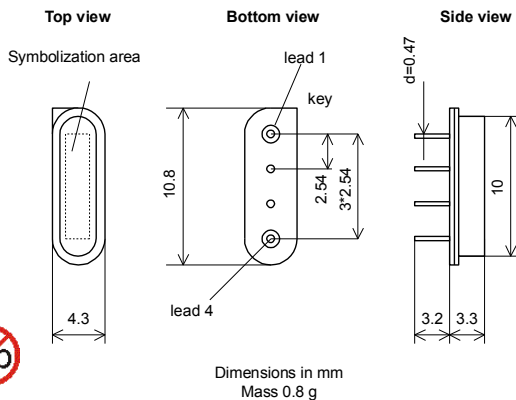
Parameter	Unit	Min	Typ	Max
Central frequency	MHz	159.65	160.0	160.35
Inserted loss (unmatched)	dB	-	1.4	-
Bandwidth @-2dB	MHz	-	6.4	-
Bandwidth @-40dB	MHz	-	20	-
Amplitude ripple	dB	-	0.9	2.0
Ultimate rejection	dB	-	60	-
Substrate			64LNO	
Temperature range	°C	-55	22	85

Notes:

1. The design, manufacturing process, and specifications of this filter are subject to change.
2. Specification valid for measurements in AEC Design test fixture.

Case

SIP4M



Matching

