

Low Loss SAW 148.5 MHz Filter

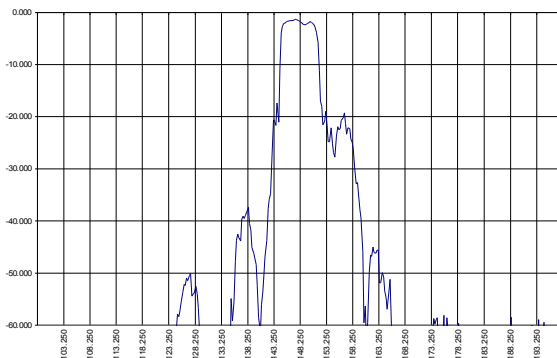
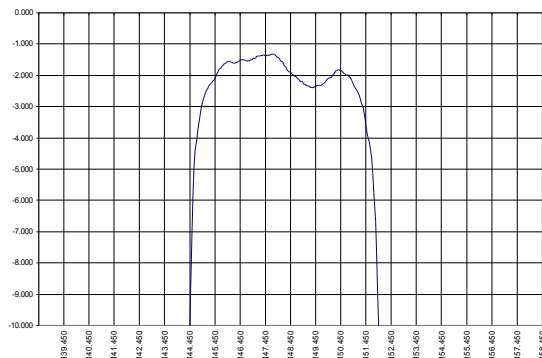
Bandwidth 6.5 MHz

Part Number A055-148.5M1

Complies with Directive 2002/95/EC (RoHS)

PRELIMINARY DATA

Typical performance



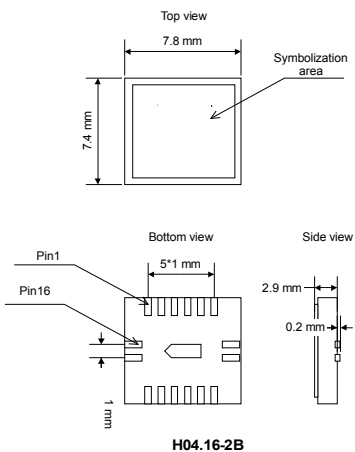
Specifications

Parameter	Unit	Min	Typ	Max
Central frequency	MHz	148.13	148.50	148.75
Inserted loss	dB	1.3	1.4	1.5
Bandwidth @-2dB	MHz	6.00	6.50	6.55
Bandwidth @-40dB	MHz	-	18.00	-
Amplitude ripple	dB	-	1.0	1.5
Ultimate rejection	dB	-	60	-
Substrate	-	-	64LNO	-
Temperature range	°C	-40	22	60

Notes:

1. The design, manufacturing process, and specifications of this filter are subject to change.
2. Specification valid for measurements in AEC Design test fixture.

Case



Matching

