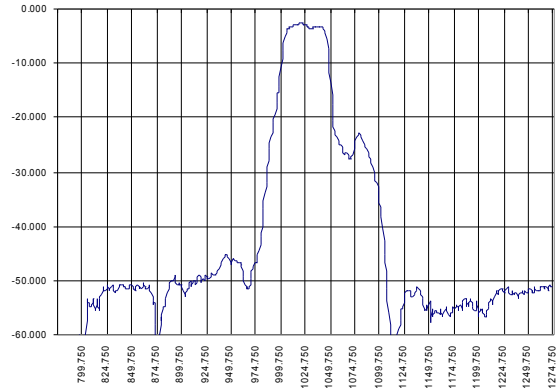
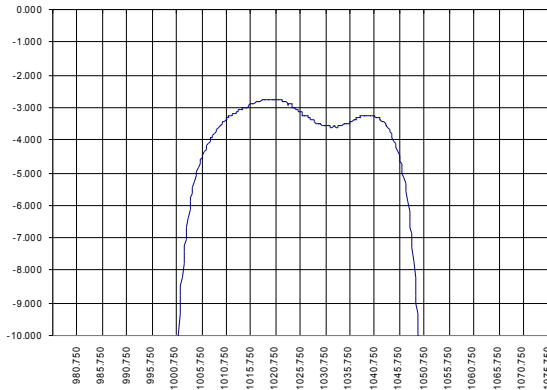


Low Loss SAW 1026 MHz Filter

Bandwidth 40 MHz

Part Number A054-1026M1

Typical performance



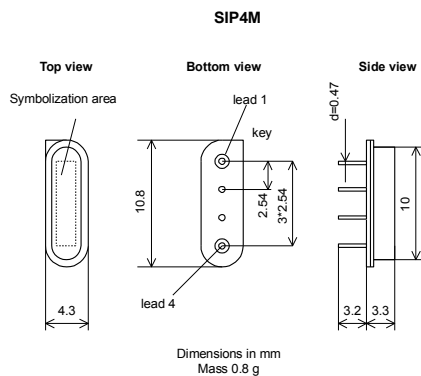
Specifications

Parameter	Unit	Min	Typ	Max
Central frequency	MHz	1024	1026	1028
Inserted loss (unmatched)	dB	-	2.8	3.5
Bandwidth @-2dB	MHz	36	40	-
Bandwidth @-30dB	MHz	-	110	-
Amplitude ripple	dB	-	1.0	2.0
Group Delay ripple	nsec	-	9.0	-
Ultimate rejection	dB	-	40	-
Substrate		-	-	-
Temperature range	°C	-55	22	85

Notes:

1. The design, manufacturing process, and specifications of this filter are subject to change.
2. Specification valid for measurements in AEC Design test fixture

Case



Matching

