

# Low Loss SAW 428.6 MHz Filter

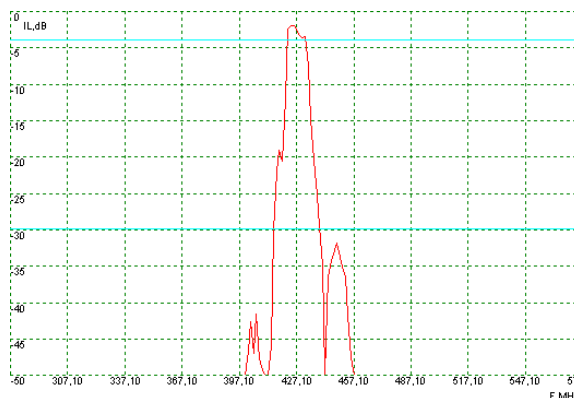
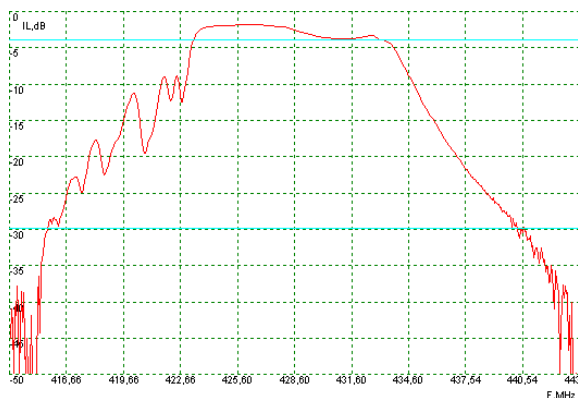
Bandwidth 9.5 MHz

Part Number A053-428.6M3

Complies with Directive 2002/95/EC (RoHS)

PRELIMINARY DATA

## Typical performance



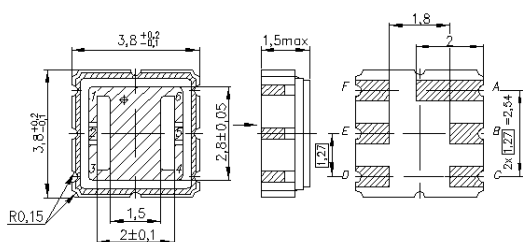
## Specifications

Parameter	Unit	Min	Typ	Max
Central frequency	MHz	428.0	428.6	429.2
Inserted loss (unmatched)	dB	-	1.6	1.9
Bandwidth @-2dB	MHz	-	9.5	10.0
Bandwidth @-30dB	MHz	-	39	-
Amplitude ripple	dB	-	1.0	2.0
Ultimate rejection	dB	-	NS	-
Substrate	-	-	36LTO	-
Temperature range	°C	-55	22	85

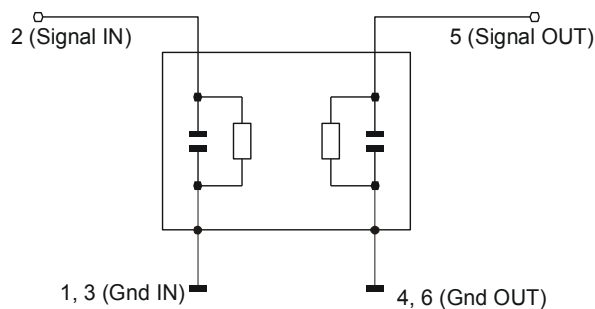
### Notes:

1. The design, manufacturing process, and specifications of this filter are subject to change.
2. Specification valid for measurements in AEC Design test fixture.

## Case



## Matching



Z<sub>in</sub>=Z<sub>out</sub>=50 Ohm  
No matching required

