

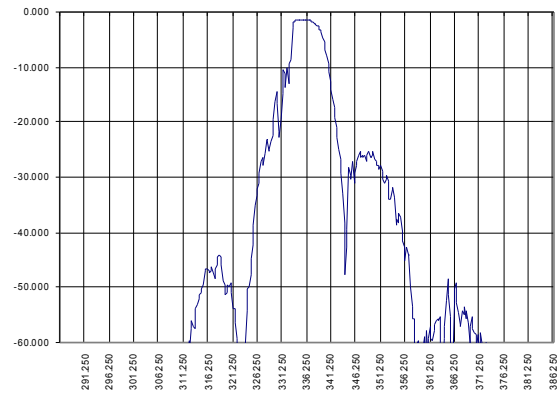
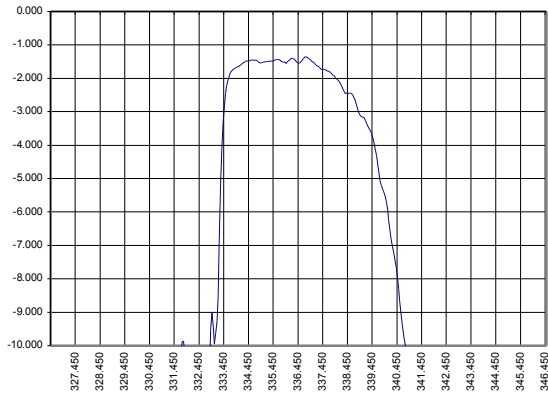
Low Loss SAW 336.5 MHz Filter

Bandwidth 5.5 MHz

Part Number A053-336.5M1

PRELIMINARY DATA

Typical performance



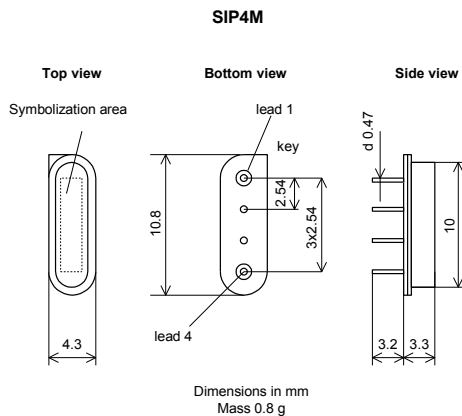
Specifications

Parameter	Unit	Min	Typ	Max
Central frequency	MHz	336.10	336.50	336.90
Inserted loss	dB	1.2	1.3	1.5
Bandwidth @-2dB	MHz	5.5	5.8	-
Bandwidth @-30dB	MHz	-	28.0	-
Amplitude ripple	dB	-	-	2.0
Ultimate rejection	dB	35.0	40.0	-
Substrate			36 YX LiTaO3	
Temperature range	°C	-55	22	85

Notes:

1. The design, manufacturing process, and specifications of this filter are subject to change.
2. Specification valid for measurements in AEC Design test fixture

Case



Matching

