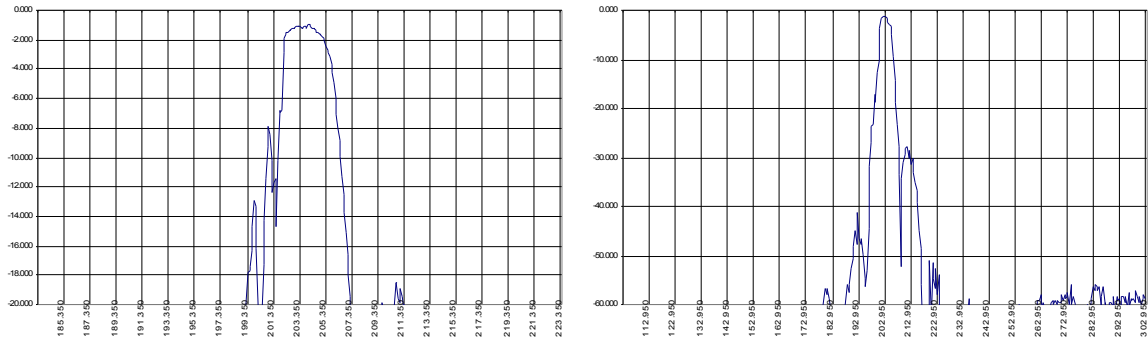


Low Loss SAW 203.45 MHz Filter Bandwidth 3.8 MHz

Part Number A053-203.45M1

Typical performance



Specifications

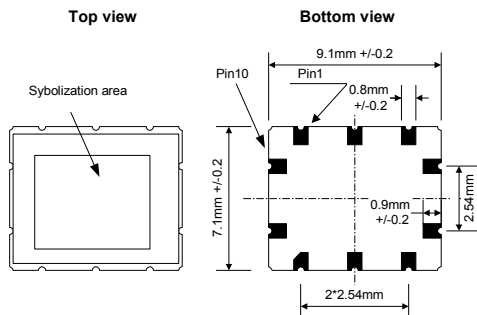
Parameter	Unit	Min	Typ	Max
Central frequency	MHz	203.25	203.45	203.65
Inserted loss	dB	0.90	0.95	1.20
Bandwidth @-3.0dB	MHz	3.70	3.80	3.90
Bandwidth @-20dB	MHz	-	8.00	-
Bandwidth @-30dB	MHz	-	17.30	-
Bandwidth @-40dB	MHz	-	19.00	-
Amplitude ripple	dB	-	1.0	-
Ultimate rejection	dB	-	60.0	-
Substrate		-	36LiTaO3	-
Temperature range	°C	-55.0	22.0	85.0

Notes:

- The design, manufacturing process, and specifications of this filter are subject to change.
- Specification valid for measurements in AEC Design test fixture

Case

QLC10



Matching

