

IF SAW 479.50 MHz Filter

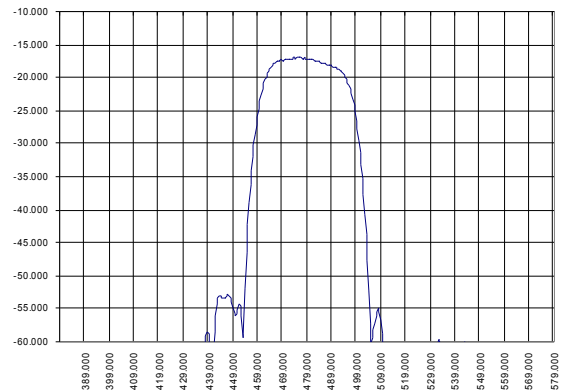
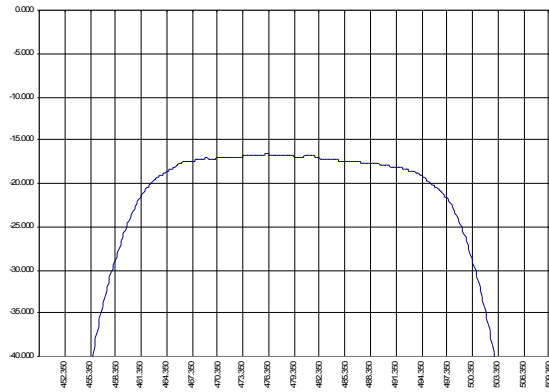
Bandwidth 31 MHz

Part Number A040-479.5M1

Complies with Directive 2002/95/EC (RoHS)

PRELIMINARY DATA

Typical performance



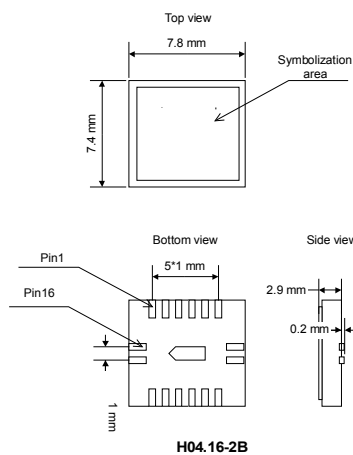
Specifications

Parameter	Unit	Min	Typ	Max
Central frequency	MHz	479.0	479.5	480.0
Inserted loss	dB	15	17	18
Bandwidth @-3dB	MHz	30	32	33
Bandwidth @-30dB	MHz	-	48.90	-
Amplitude ripple	dB	-	0.3	1.0
Group delay ripple,nsec	-	-	10	15
Ultimate rejection	dB	-	45	-
Substrate	-	-	128 YX LiNbo3	-
Temperature range	°C	-55	22	85

Notes:

1. The design, manufacturing process, and specifications of this filter are subject to change.
2. Specification valid for measurements in AEC Design test fixture.

Case



Matching

