

## Low Loss SAW 41.5 MHz Filter

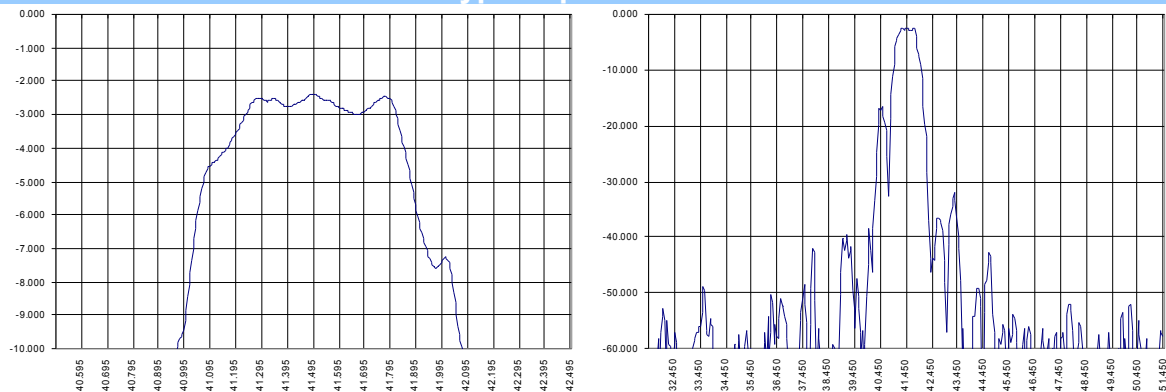
Bandwidth 0.62 MHz

Part Number A028-41.5M1

Complies with Directive 2002/95/EC (RoHS)

PRELIMINARY DATA

### Typical performance



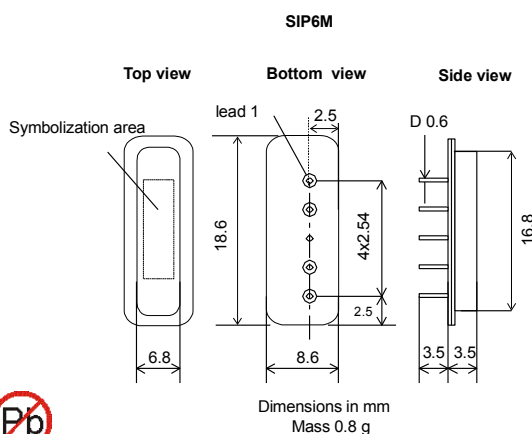
### Specifications

Parameter	Unit	Min	Typ	Max
Central frequency	MHz	41.47	41.50	41.53
Inserted loss	dB	2.1	2.3	2.6
Bandwidth @-1dB	MHz	0.60	0.62	0.65
Bandwidth @-3dB	MHz	-	0.80	-
Bandwidth @-30dB	MHz	-	2.10	-
Amplitude ripple	dB	-	0.8	1.1
Ultimate rejection	dB	-	50.0	-
Substrate	-	-	128LNO	-
Temperature range	°C	-45	22	65

#### Notes:

1. The design, manufacturing process, and specifications of this filter are subject to change.
2. Specification valid for measurements in AEC Design test fixture.

### Case



### Matching

