

Low Loss SAW 208.75 MHz Filter

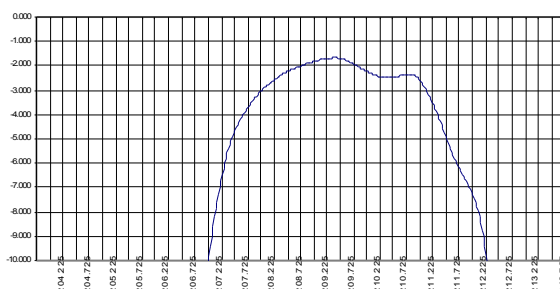
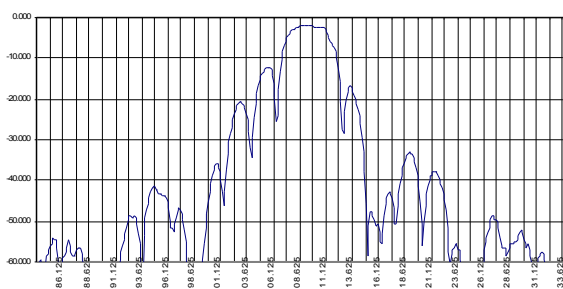
Bandwidth 4.4 MHz

Part Number A022-208.75M1

Complies with Directive 2002/95/EC (RoHS)

PRELIMINARY DATA

Typical performance



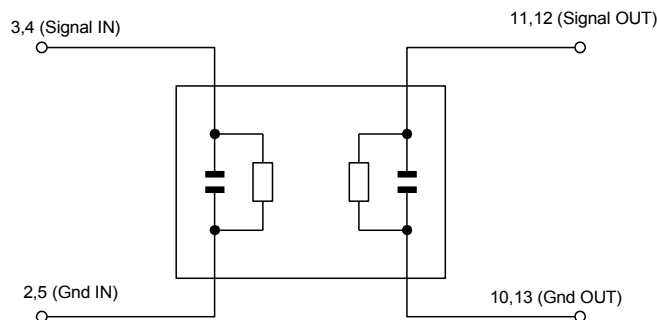
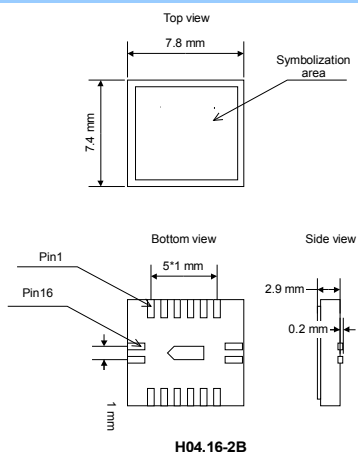
Specifications

Parameter	Unit	Min	Typ	Max
Central frequency	MHz	208.25	208.75	209.25
Inserted loss	dB	1.7	2.0	3.5
Bandwidth @-3dB	MHz	-	4.4	-
Bandwidth @-40dB	MHz	-	25	-
Amplitude ripple	dB	0.8	1.0	2.0
Group Delay ripple	nsec	-	NS	-
Ultimate rejection	dB	50	-	-
Substrate	-	-	128LNO	-
Temperature range	°C	-55	22	85

Notes:

1. The design, manufacturing process, and specifications of this filter are subject to change.
2. Specification valid for measurements in AEC Design test fixture.

Case Matching



1,6,7-9,12,14-16 (Case ground)

Z_{in}=Z_{out}=50 Ohm
No matching required

