

Low Loss Front End SAW 121.5 MHz Filter

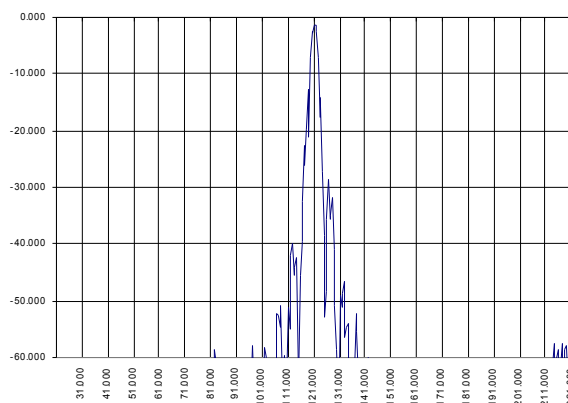
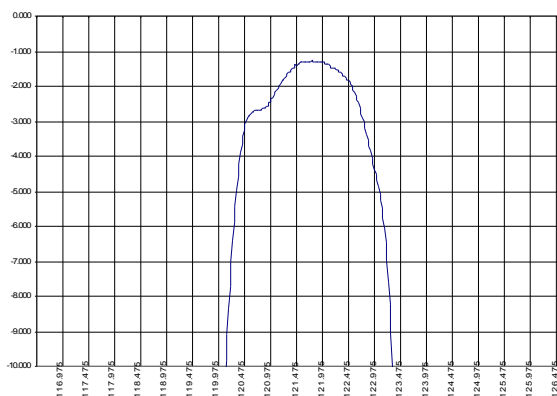
Bandwidth 2.3 MHz

Part Number A022-121.5M2

Complies with Directive 2002/95/EC (RoHS)

PRELIMINARY DATA

Typical performance



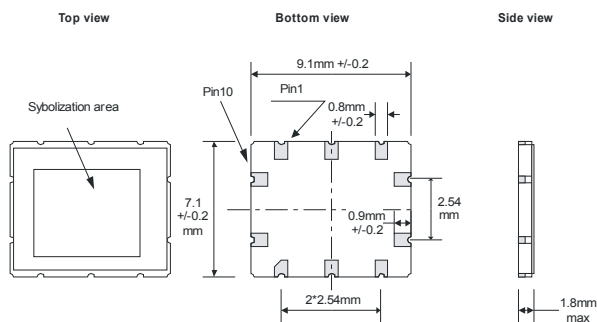
Specifications

Parameter	Unit	Min	Typ	Max
Central frequency	MHz	121.3	121.5	121.7
Inserted loss (unmatched)	dB	0.9	1.1	1.5
Bandwidth @-2dB	MHz	2.0	2.3	2.5
Bandwidth @-30dB	MHz	-	7.5	-
Bandwidth @-40dB	MHz	-	17	-
Amplitude ripple	dB	-	1	2
Ultimate rejection	dB	-	60	-
Substrate	-	-	128LNO	-
Temperature range	°C	-55	22	85

Notes:

1. The design, manufacturing process, and specifications of this filter are subject to change.
2. Specification valid for measurements in AEC Design test fixture.

Case



Matching

