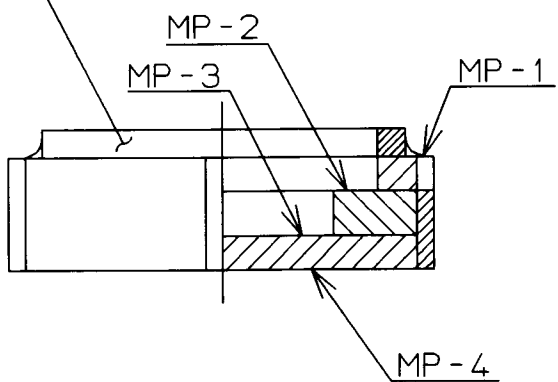


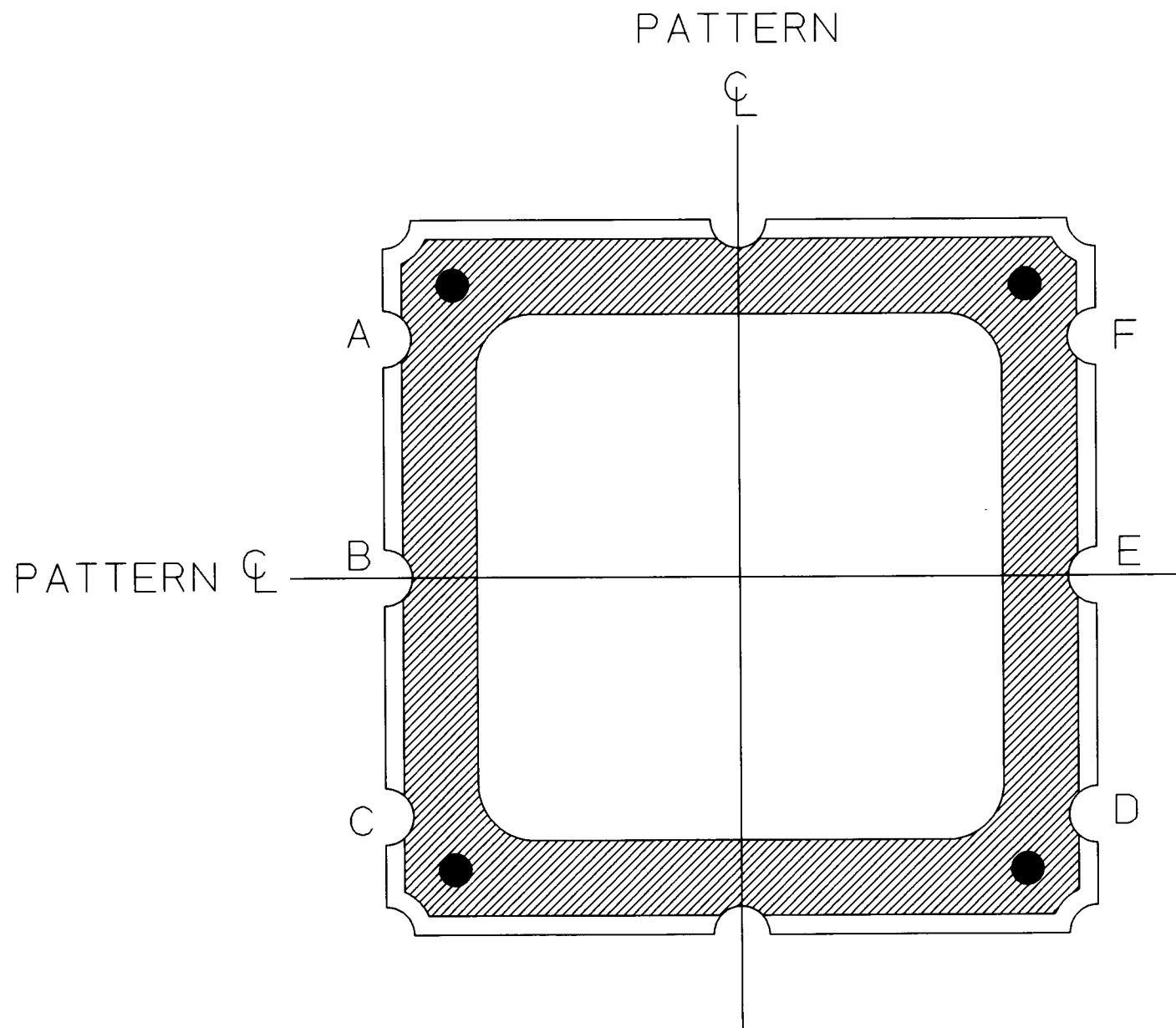
SEAL RING
Fe-Ni-Co ALLOY
0.25 ± 0.05 THK.



- NOTES:
1. PLATING THICKNESS
GOLD: 0.3 μm MIN.
(EXCEPT 0.3~1.0 μm AT SOLDER PADS)
NICKEL: 1.27~8.89 μm
 2. CAMBER: 0.05mm MAX.
 3. METALLIZATION RUNDOWN 0.20 MAX.
 4. CONNECTION: (1-3-4-6-A-C-D-F-D/A-S/R)
(2-B), (5-E)

MODIFICATION						NAME	3.8SQ SAW PKG	TOLERANCE	UNLESS OTHERWISE SPECIFIED	DRAWN	CHECKED	APPROVED	DATE	
						SCALE	15 / 1	MATERIAL	AS INDICATED	S. SE	K. N	M. M	T. A	JUN. 23. '96
								± 0.20	THIRD ANGLE PROJECTION	S. Seto	K. Naka	T. Atsu		
										DRAWING NO.			SHEET	
	CHANGED		DATE	DRAWN	CHECKED	APPROVED	KYOCERA	KYOCERA CORPORATION KYOTO JAPAN		KD-V97050			1 / 5	

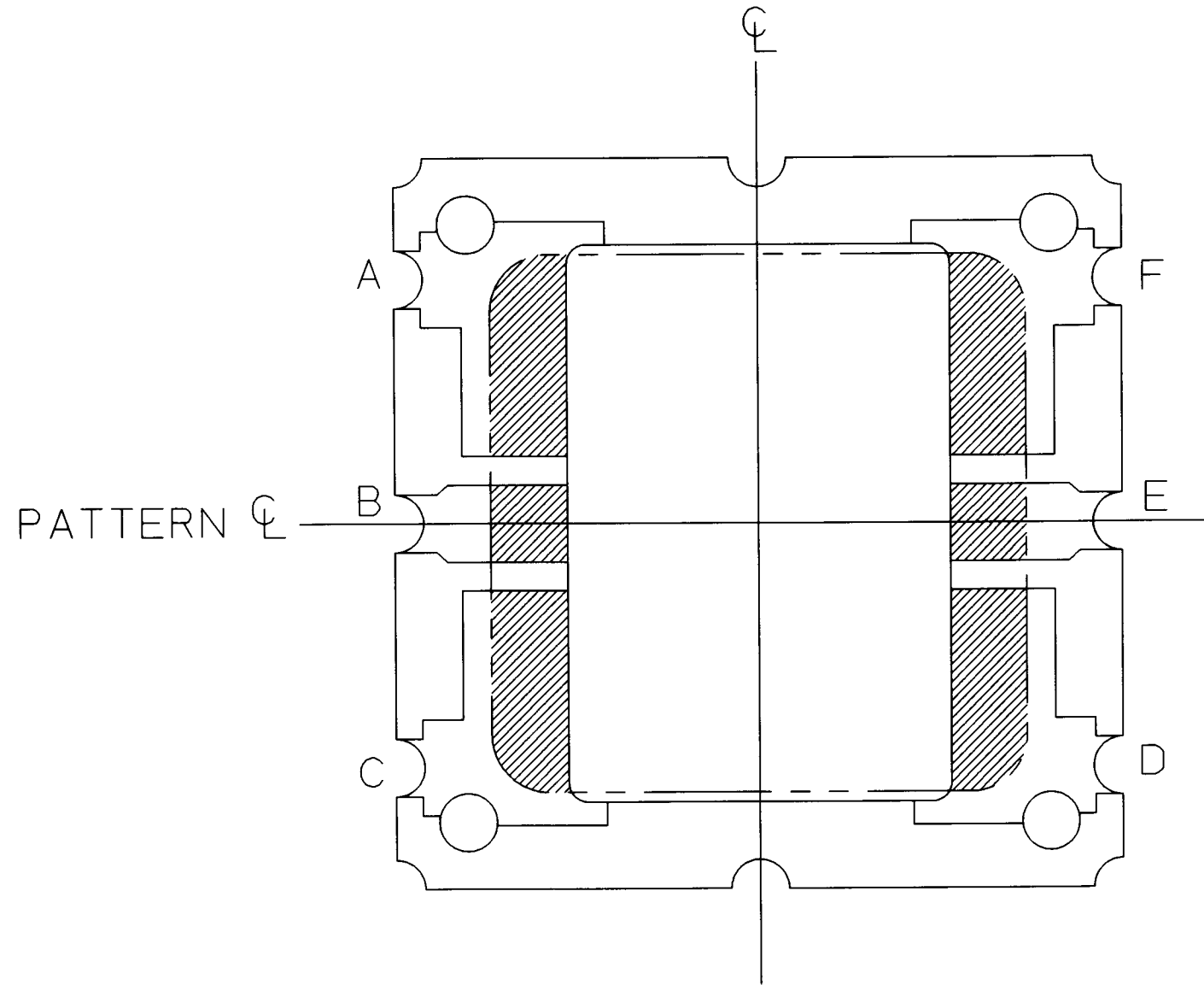
VBS03AF050-1



MP-1

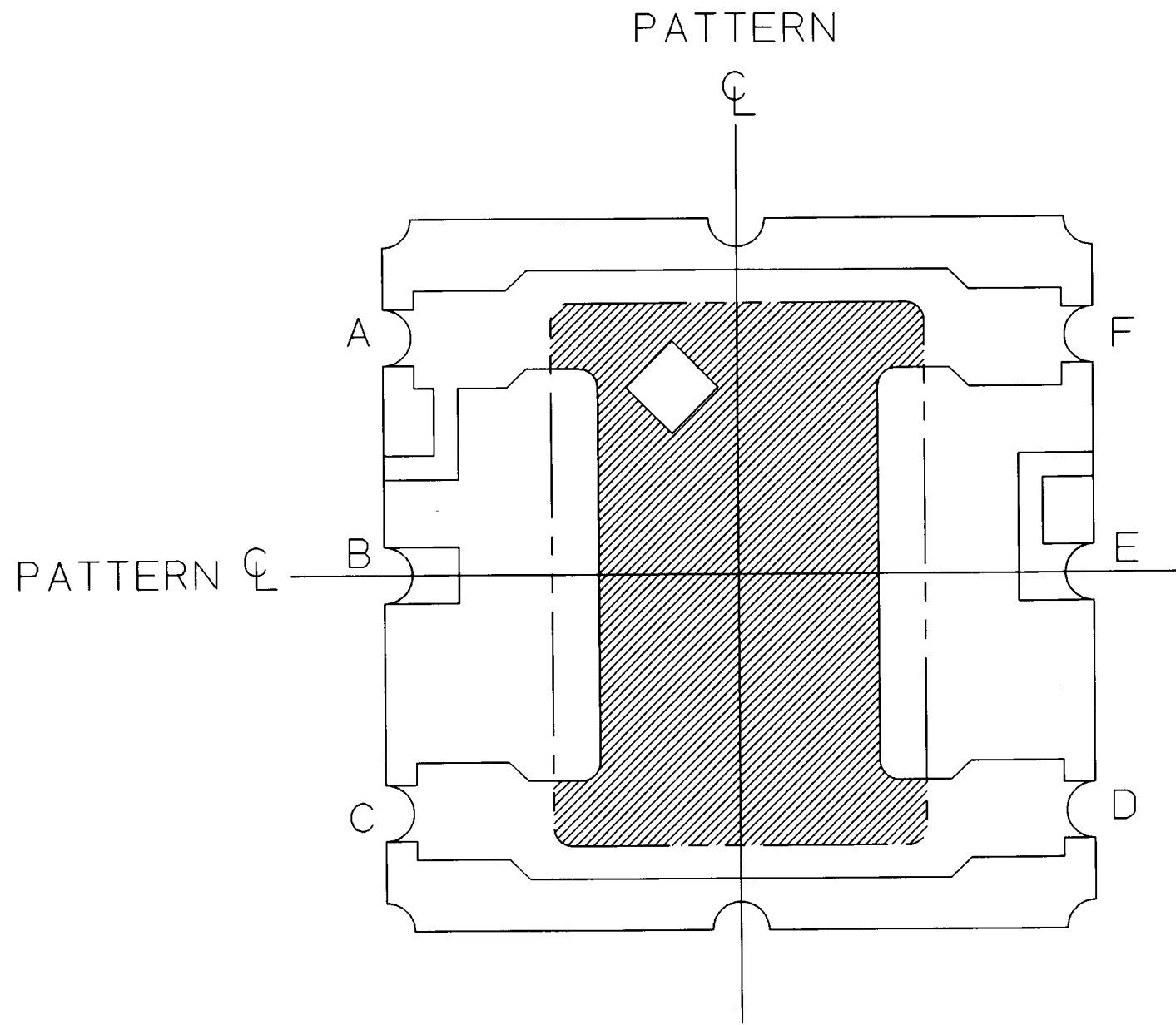
MODIFICATION					NAME	TOLERANCE	DRAWN	CHECKED	APPROVED	DATE
					3.85Q PAW PKG	UNLESS OTHERWISE SPECIFIED	S. SE	K.N M.M	T. A	JAN.23.'96
				SCALE 30 / 1	MATERIAL		S. Sato	K. Naka M. Naka	T. Atsu	
						THIRD ANGLE PROJECTION				
	CHANGED	DATE	DRAWN	CHECKED	APPROVED		KYOCERA CORPORATION		DRAWING NO.	SHEET
							KYOTO JAPAN		KD-V97050	2 / 5

PATTERN



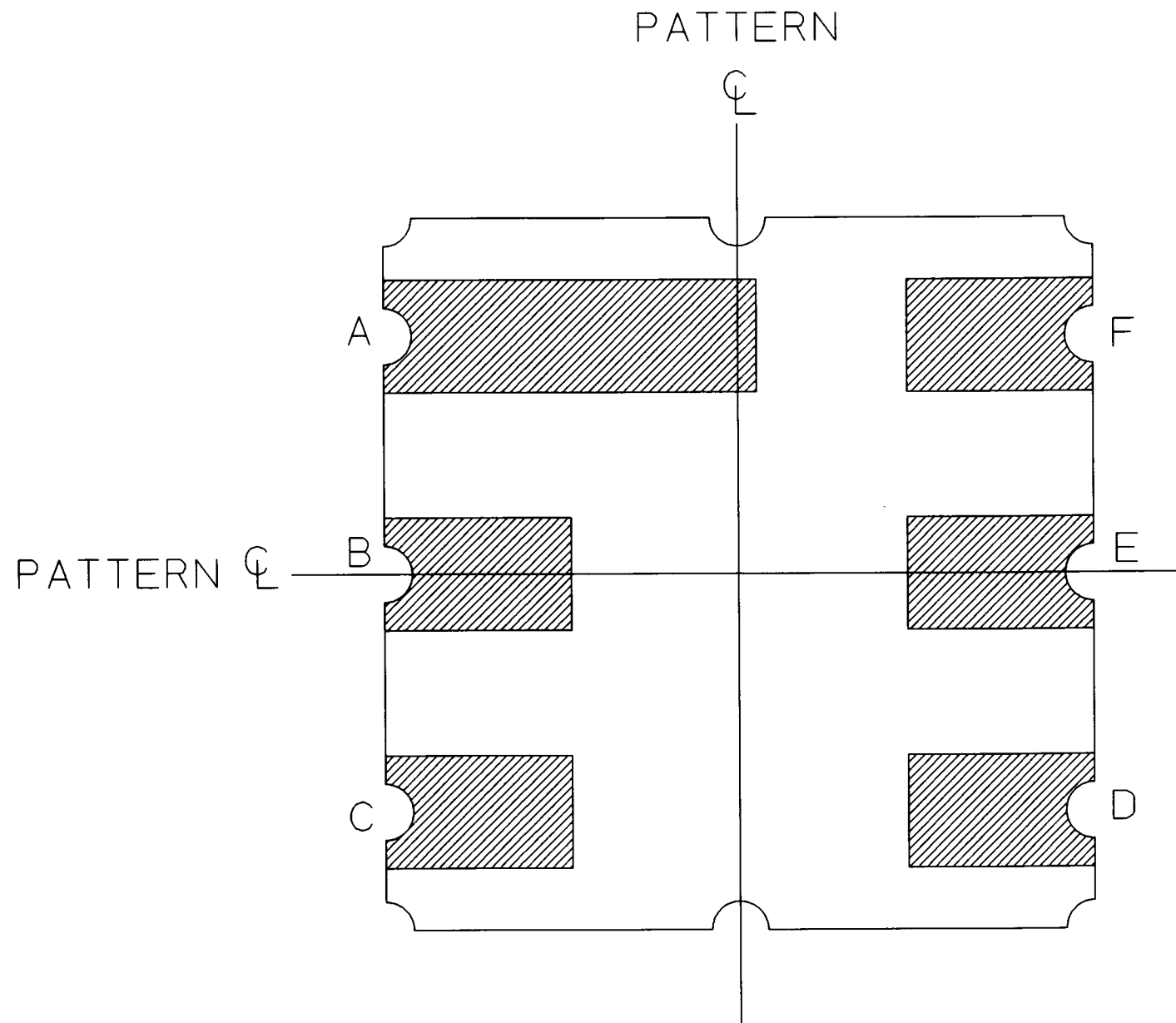
MP-2

MODIFICATION					NAME	TOLERANCE	DRAWN	CHECKED	APPROVED	DATE
					3.85Q PAW PKG	UNLESS OTHERWISE SPECIFIED	S. SE	K.N	T. A	JAN.23.'96
				SCALE 30 / 1	MATERIAL		<i>S. Seto</i>	<i>K. Naka</i>	<i>T. Atsu</i>	
						THIRD ANGLE PROJECTION				
					KYOCERA	KYOCERA CORPORATION KYOTO JAPAN	DRAWING NO.			SHEET
CHANGED		DATE	DRAWN	CHECKED	APPROVED		KD-V97050			3 / 5



MP - 3

MODIFICATION						NAME	3.85Q PAW PKG	TOLERANCE	DRAWN	CHECKED	APPROVED	DATE
						SCALE	30 / 1	UNLESS OTHERWISE SPECIFIED	S. SE	K. N	T. A	JAN. 23. '96
						MATERIAL		THIRD ANGLE PROJECTION	<i>S. Seto</i>	<i>K. Naka</i>	<i>T. Aizu</i>	
	CHANGED		DATE	DRAWN	CHECKED	APPROVED			KYOCERA CORPORATION KYOTO JAPAN		DRAWING NO. KD-V97050	



MP - 4
(TOP VIEW)

MODIFICATION					NAME	TOLERANCE	DRAWN	CHECKED	APPROVED	DATE	
					3.85Q PAW PKG	UNLESS OTHERWISE SPECIFIED	S. SE	K.N	T. A	JAN.23.'96	
					SCALE 30 / 1	MATERIAL					
					KYOCERA	KYOCERA CORPORATION KYOTO JAPAN	THIRD ANGLE PROJECTION		S. Seto	K. Naka	T. Atsu
	CHANGED						DATE	DRAWN	CHECKED	APPROVED	DRAWING NO.
								KD-V97050	5 / 5		