

Low IL SAW 165 MHz Filter

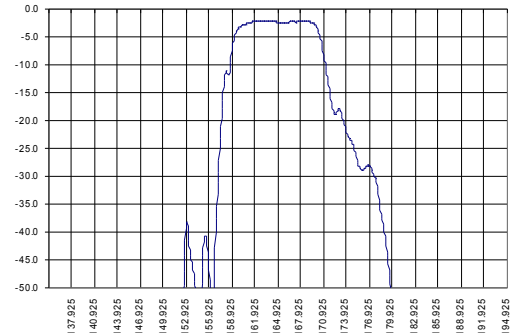
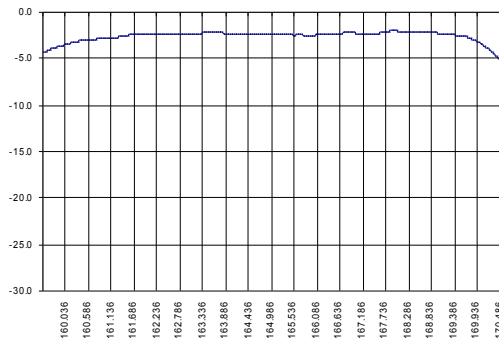
Bandwidth 10.2 MHz

Part Number A191-165M1

Complies with Directive 2002/95/EC (RoHS)

PRELIMINARY DATA

Typical performance



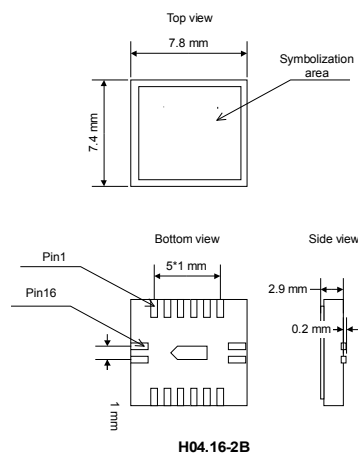
Specifications

Parameter	Unit	Min	Typ	Max
Central frequency	MHz	164.9	165.0	165.1
Inserted loss	dB	-	2.0	2.2
Bandwidth @-1.5dB	MHz	10.0	10.2	10.5
Bandwidth @-50dB	MHz	-	30	-
Amplitude ripple (in bandwidth 9 MHz)	dB	0.7	0.8	1.0
Ultimate rejection	dB	-	55	-
Substrate	-	-	49 YX LiNbo3	-
Temperature range	°C	-55	22	85

Notes:

1. The design, manufacturing process, and specifications of this filter are subject to change.
2. Specification valid for measurements in AEC Design test fixture.

Case



Matching

