

Low Loss SAW 407 MHz Filter

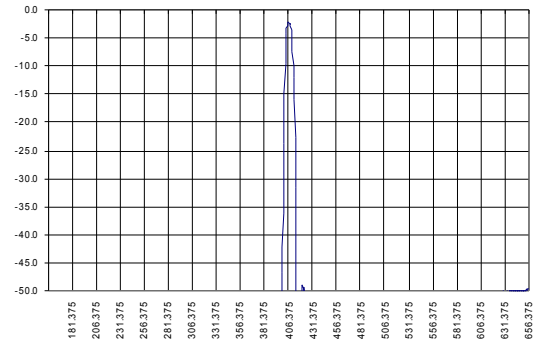
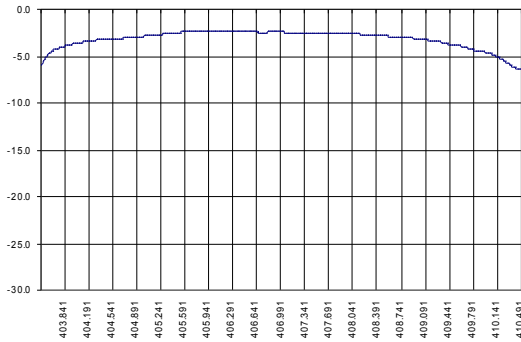
Bandwidth 6 MHz

Part Number A322-407M1

Complies with Directive 2002/95/EC (RoHS)

PRELIMINARY DATA

Typical performance



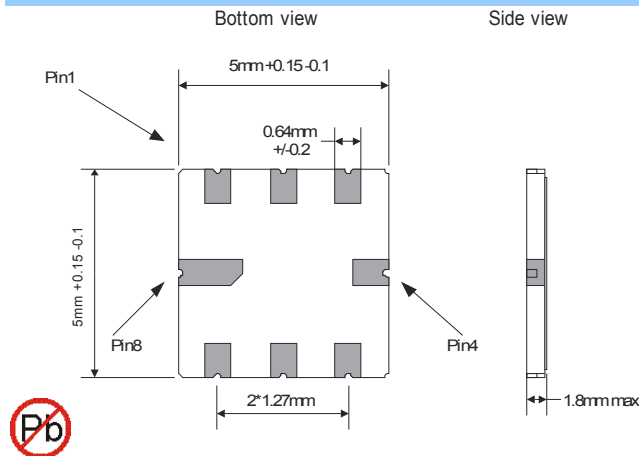
Specifications

Parameter	Unit	Min	Typ	Max
Central frequency	MHz	406.6	407.0	407.4
Inserted loss (unmatched)	dB	2.0	2.2	2.4
Bandwidth @-2dB	MHz	5.85	6.00	6.30
Bandwidth @-40dB	MHz	15.0	15.5	16.0
Amplitude ripple	dB	-	1.5	2.0
Substrate	-	-	36LTO	-
Temperature range	°C	-55	22	85

Notes:

1. The design, manufacturing process, and specifications of this filter are subject to change.
2. Specification valid for measurements in AEC Design test fixture.

Case



Matching

