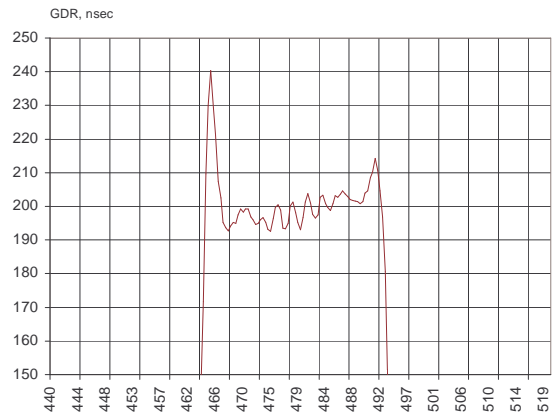
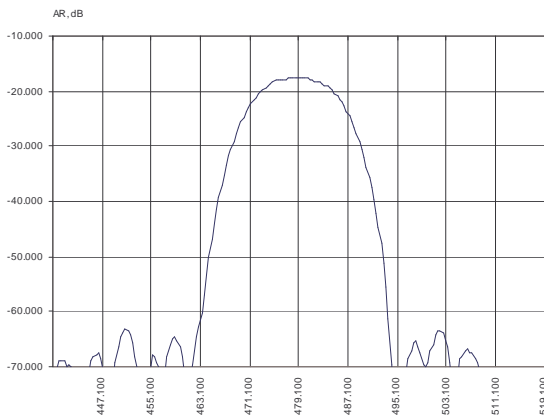




**SAW 479.5 MHz Filter**  
**Bandwidth 12 MHz**  
**AEC Part Number A240-479.5M2**

PRELIMINARY DATA

**Typical performance**



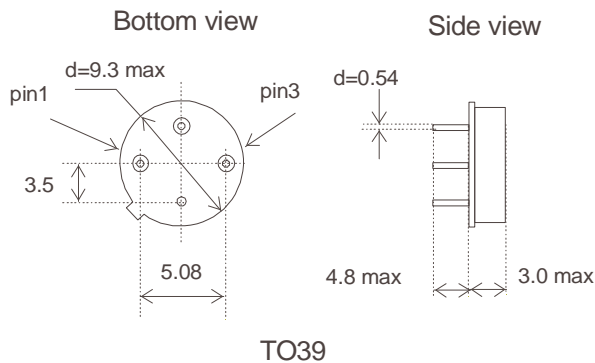
**Specifications**

Parameter	Unit	Min	Typ	Max
Central frequency	MHz	479.0	479.5	480.0
Inserted loss (unmatched)	dB	-	17.5	18.5
Bandwidth @-3dB	MHz	12.0	-	-
Bandwidth @-38dB	MHz	-	-	31
Amplitude ripple	dB	-	0.8	-
Group Delay Ripple (12MHz Bandwidth)	nsec	-	11	15
Ultimate rejection	dB	-	50	-
Substrate			112LTO (-18*10 <sup>-6</sup> /deg)	
Temperature range	°C	-55		85

**Notes:**

1. The design, manufacturing process, and specifications of this filter are subject to change.
2. Specification valid for measurements in AEC test fixture

**Case**



**Matching**

