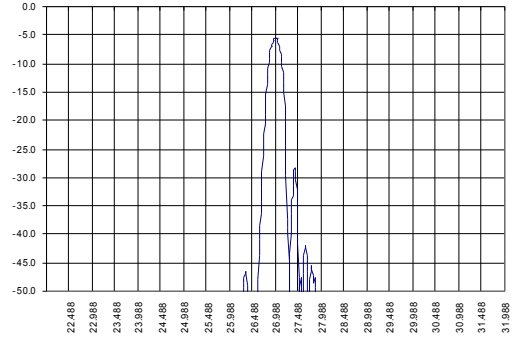
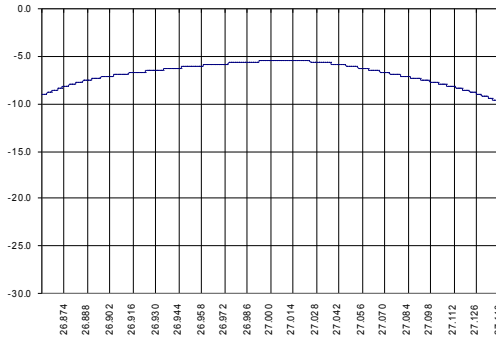


IF SAW 27 MHz Filter
Bandwidth 0.25 MHz
Part Number A188-27M1

Complies with Directive 2002/95/EC (RoHS)

PRELIMINARY DATA

Typical performance



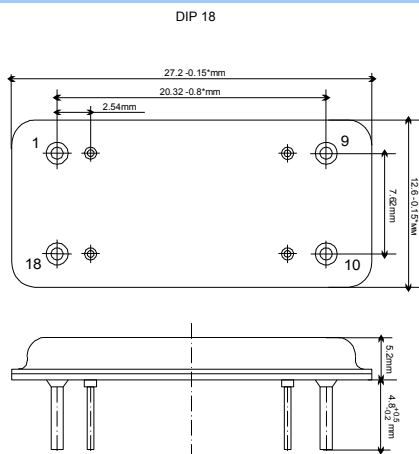
Specifications

Parameter	Unit	Min	Typ	Max
Central frequency	MHz	26.975	27.000	27.025
Inserted loss (unmatched)	dB	-	5.5	-
Bandwidth @-3dB	MHz	0.22	0.25	-
Bandwidth @-35dB	MHz	-	1	-
Amplitude ripple (in bandwidth 0.2 MHz)	dB	-	1	-
Ultimate rejection	dB	-	50	-
Substrate	-	-	128LNO	-
Temperature range	°C	-55	22	85

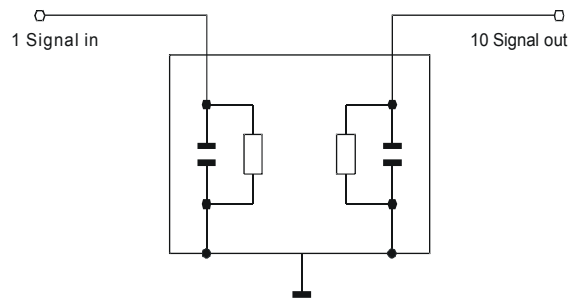
Notes:

- The design, manufacturing process, and specifications of this filter are subject to change.
- Specification valid for measurements in AEC Design test fixture.

Case



Matching



All others - Case ground
 Matching required:
 Series capacitor (75+22) pf and parallel inductor 470 nH at input port,
 series capacitor (47+26)pf and parallel inductor 470 nH at output port.
 Matching condition depends on PCB layout.
 $Z_{in}=Z_{out}=50 \text{ Ohm}$