

Low Loss SAW Filter 58.91 MHz Filter

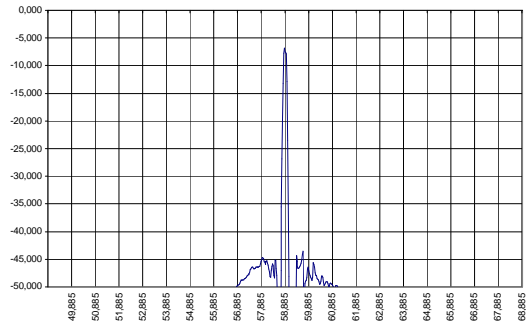
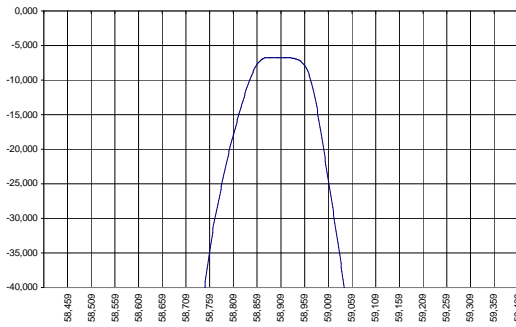
Bandwidth 0.12 MHz

Part Number A180-58.91M1

Complies with Directive 2002/95/EC (RoHS)

PRELIMINARY DATA

Typical performance



Specifications

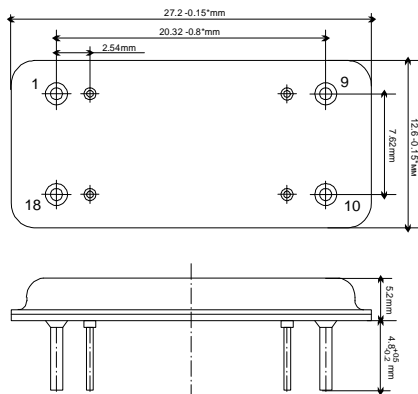
Parameter	Unit	Min	Typ	Max
Central frequency	MHz	58.903	58.91	58.917
Inserted loss (unmatched)	dB	5	6	7
Bandwidth @ -3dB	MHz	-	0.12	0.13
Bandwidth @ -40dB	MHz	-	0.32	0.34
Amplitude ripple (in bandwidth 0.1 MHz)	dB	-	1	2.0
Ultimate rejection	dB	-	60	-
Substrate			36 YX quartz	
Temperature range	°C	-55		85

Notes:

1. The design, manufacturing process, and specifications of this filter are subject to change.
2. Specification valid for measurements in AEC test fixture

Case

DIP 18



Matching

