

Low Loss SAW 727.65MHz Filter

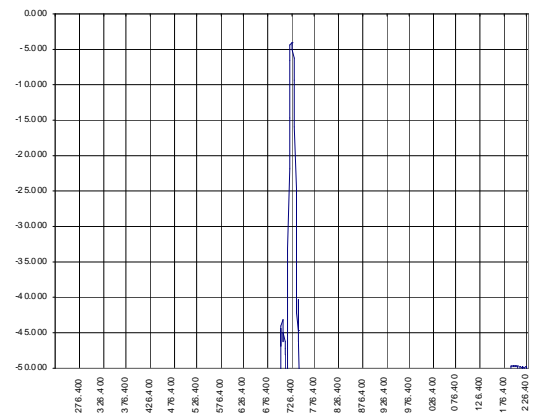
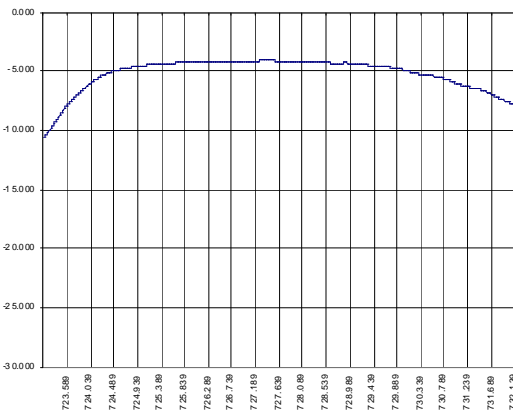
Bandwidth 8.2 MHz

Part Number A151-727.65M1

Complies with Directive 2002/95/EC (RoHS)

PRELIMINARY DATA

Typical performance



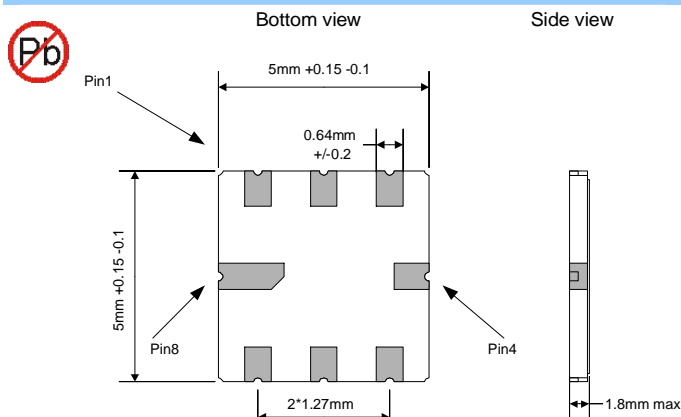
Specifications

Parameter	Unit	Min	Typ	Max
Central frequency	MHz	727.40	727.65	727.90
Inserted loss (unmatched)	dB	3.5	4	4.5
Bandwidth @-3dB	MHz	7.8	8.2	8.6
Bandwidth @-33dB	MHz	17.3	17.8	18.3
Amplitude ripple (in bandwidth 5 MHz)	dB	-	0.7	1
Ultimate rejection	dB	-	60	-
Substrate			36LTO	
Temperature range	°C	-55		85

Notes:

1. The design, manufacturing process, and specifications of this filter are subject to change.
2. Specification valid for measurements in AEC Design test fixture

Case



Matching

